



Sil9535 Port Processor

Data Sheet

Sil-DS-1125-D

May 2017

Contents

1.	General Description	5
1.1.	HDMI Inputs and Output	5
1.2.	Performance Improvement Features	5
1.3.	Audio Inputs and Outputs	6
1.4.	ESD and Latch-up	6
1.5.	Control Capability	6
1.6.	Packaging	6
2.	Functional Description	7
2.1.	Always-on Section	7
2.1.1.	Serial Ports Block	8
2.1.2.	Static RAM Block	8
2.1.3.	NVRAM Block	8
2.1.4.	HDCP Registers Block	8
2.1.5.	OTP ROM Block	8
2.1.6.	Bootling Sequencer	9
2.1.7.	Configuration, Status, and Interrupt Control Block	9
2.1.8.	Mobile HD Control Block	9
2.1.9.	Power Block	9
2.2.	Power-down Section	9
2.2.1.	Input Multiplexer Blocks	9
2.2.2.	TMDS Receiver Blocks	9
2.2.3.	HDMI, MHL, and InstaPort S Receiver Blocks	10
2.2.4.	Video/Audio Splitter Block	10
2.2.5.	InstaPrevue Block	10
2.2.6.	Stream Mixer Block	10
2.2.7.	Video Pattern Generator Block	10
2.2.8.	Audio Sampling Rate Converter Block	11
2.2.9.	On-screen Display Controller	11
2.2.10.	Audio Input Block	11
2.2.11.	Audio Output Block	12
2.2.12.	Audio Return Channel Input and Output	12
2.2.13.	TMDS Transmitter Block	12
3.	Electrical Specifications	13
3.1.	Absolute Maximum Conditions	13
3.2.	Normal Operating Conditions	13
3.3.	DC Specifications	14
3.4.	AC Specifications	16
3.4.1.	Control Signal Timing Specifications	17
3.4.2.	Audio Input Timing	18
3.4.3.	Audio Output Timing	18
3.5.	Serial Flash SPI Interface Specifications	19
4.	Timing Diagrams	20
4.1.	Reset Timing Diagrams	20
4.2.	I ² C Timing Diagram	20
4.3.	Digital Audio Input Timing	21
4.4.	Digital Audio Output Timing	22
5.	Pin Diagram and Pin Descriptions	24
5.1.	Pin Diagram	24
5.2.	Pin Descriptions	25
5.2.1.	HDMI Receiver and MHL Port Pins	25
5.2.2.	HDMI Transmitter Port Pins	25
5.2.3.	Audio Pins	26

5.2.4.	Configuration Pins.....	26
5.2.5.	Control Pins.....	27
5.2.6.	Crystal Pins.....	27
5.2.7.	DDC I ² C Pins	27
5.2.8.	SPI Interface Pins	28
5.2.9.	System Switching Pins.....	28
5.2.10.	Power and Ground Pins.....	29
5.2.11.	Reserved	29
6.	Feature Information	30
6.1.	Standby and HDMI Port Power Supplies	30
6.2.	InstaPort S	31
6.3.	InstaPrevue	31
6.4.	MHL Receiver	32
6.5.	3D Video Formats.....	32
7.	Design Recommendations	34
7.1.	Power Supply Decoupling	34
7.2.	Power Supply Control Timing and Sequencing	34
8.	Package Information.....	35
8.1.	ePad Requirements	35
8.2.	Package Dimensions.....	36
8.3.	Marking Specification.....	37
8.4.	Ordering Information	37
	References.....	38
	Standards Documents.....	38
	Standards Groups	38
	Lattice Semiconductor Documents.....	38
	Technical Support	38
	Revision History	39

Figures

Figure 1.1.	Typical Application.....	5
Figure 2.1.	Functional Block Diagram	7
Figure 2.2.	I ² C Control Mode Configuration	8
Figure 3.1.	Test Point VDDTP for AVDD33 Noise Tolerance Specification.....	14
Figure 3.2.	Audio Crystal Schematic	18
Figure 4.1.	Conditions for Use of RESET_N	20
Figure 4.2.	RESET_N Minimum Timing	20
Figure 4.3.	I ² C Data Valid Delay, Driving Read Cycle Data	20
Figure 4.4.	I ² S Input Timing.....	21
Figure 4.5.	S/PDIF Input Timing	21
Figure 4.6.	I ² S Output Timing.....	22
Figure 4.7.	S/PDIF Output Timing	22
Figure 4.8.	MCLK Timing	22
Figure 4.9.	SPI Flash Memory Timing.....	23
Figure 5.1.	Pin Diagram.....	24
Figure 6.1.	Standby Power Supply Diagram.....	30
Figure 7.1.	Decoupling and Bypass Schematic Diagram	34
Figure 7.2.	Decoupling and Bypass Capacitor Placement.....	34
Figure 8.1.	Package Diagram	36
Figure 8.2.	Marking Diagram	37
Figure 8.3.	Alternate Marking Diagram	37

Tables

Table 2.1. Pixel Clock Source and Frequency.....	11
Table 3.1. Absolute Maximum Conditions.....	13
Table 3.2. Normal Operating Conditions.....	13
Table 3.3. Digital I/O DC Specifications.....	14
Table 3.4. TMDS Input DC Specifications – HDMI Mode.....	14
Table 3.5. TMDS Input DC Specifications – MHL Mode.....	14
Table 3.6. TMDS Output DC Specifications.....	15
Table 3.7. Single Mode Audio Return Channel DC Specifications.....	15
Table 3.8. S/PDIF Input Port DC Specifications.....	15
Table 3.9. CBUS DC Specifications.....	15
Table 3.10. Power Requirements.....	16
Table 3.11. TMDS Input Timing AC Specifications – HDMI Mode.....	16
Table 3.12. TMDS Input Timing AC Specifications – MHL Mode.....	16
Table 3.13. TMDS Output Timing AC Specifications.....	16
Table 3.14. Single Mode Audio Return Channel AC Specifications.....	17
Table 3.15. CBUS AC Specifications.....	17
Table 3.16. Control Signal Timing Specifications.....	17
Table 3.17. Audio Crystal Frequency.....	17
Table 3.18. S/PDIF Input Port AC Specifications.....	18
Table 3.19. I ² S Input Port AC Specifications.....	18
Table 3.20. I ² S Output Port AC Specifications.....	18
Table 3.21. S/PDIF Output Port AC Specifications.....	19
Table 3.22. Serial Flash AC Specifications.....	19
Table 6.1. Description of Power Modes.....	30
Table 6.2. Supported Conditions of Main Video and InstaPreview Displays.....	31
Table 6.3. Supported 3D Video Formats.....	33

1. General Description

The Lattice Semiconductor Sil9535 Port Processor is the latest HDMI® port processor targeted at Audio Video Receiver (AVR), Home Theater in a Box (HTiB), and Soundbar applications. The port processor features InstaPort™ S and InstaPrevue™ technologies, Mobile High-definition Link 2.1 (MHL®), 300 MHz HDMI, On-screen Display (OSD), and Audio Return Channel (ARC).

MHL allows the user to attach a device to the HTiB or soundbar and view high-definition content while the mobile device battery is charging. MHL 2.1 supports 3D and PackedPixel Mode (PPM) in Sil9535 port processor and is supported on two input ports.

The Sil9535 port processor offers an extensive set of audio features, including audio extraction and insertion. Multi-channel audio from the active HDMI input can be extracted and sent to the audio output port. Additionally, a 2-channel PCM or bitstream audio from an audio DSP or an SoC can be inserted and sent to the HDMI output.

The Sil9535 port processor supports an ARC transceiver that is configurable as either receiver or transmitter. As an ARC receiver in an AVR or HTiB design, the HDMI transceiver output can receive an ARC signal from a Digital Television (DTV). The ARC channel is configurable as an ARC transmitter, and data from S/PDIF can be routed to the ARC transmitter.

1.1. HDMI Inputs and Output

- Four 300 MHz HDMI input ports and one output port
- 3.0 Gb/s TMDS™ cores
- HDMI, MHL, HDCP 1.4, and DVI compatible
- Supports video resolutions up to 8-bit 4K @ 25/30 Hz, 12-bit 1080p @ 60 Hz, or 12-bit 720p/1080i @ 120 Hz
- HDMI 2.0 Specification format supports 4K @ 50/60 Hz (when Pixel Encoding method is YCbCr 4:2:0 and OSD and InstaPrevue are disabled).
- Supports all the mandatory and some optional 3D formats up to 300 MHz
- Supports up to 1080p @ 60 Hz on two MHL input ports
- Supports 3D video in MHL mode
- Preprogrammed with HDCP keys
- Repeater function supports up to 127 devices

1.2. Performance Improvement Features

- InstaPort S viewing technology reduces port switching time to less than one second
- InstaPrevue technology provides a Picture-in-Picture (PIP) preview of connected source devices
- AVI, Audio InfoFrame, and video input resolution detection for all input ports, accessible port-by-port
- Hardware-based HDCP error detection and recovery minimizes firmware intervention
- Automatic output mute and unmute based on link stability, such as cable connect/detach

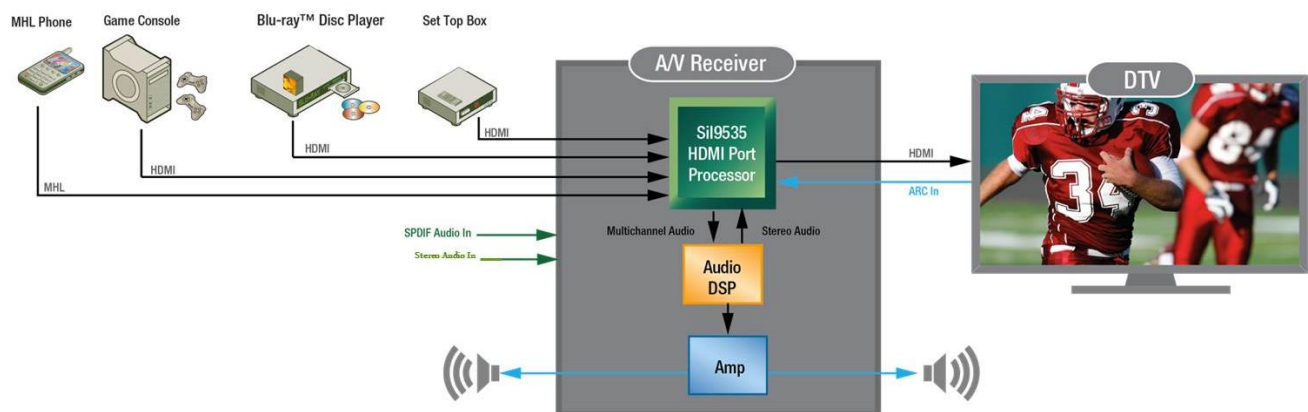


Figure 1.1. Typical Application

1.3. Audio Inputs and Outputs

- S/PDIF input and output support PCM and compressed audio formats up to 192 kHz, such as Dolby® Digital, DTS and AC-3
- DSD output supports Super Audio CD applications, up to six channels
- I²S outputs support PCM and DVD-audio output, up to eight channels at 192 kHz
- I²S inputs support PCM and DVD-audio input, up to two channels at 192 kHz
- High bitrate audio output support, such as DTS-HD Master Audio™ and Dolby® TrueHD
- Sample Rate Converter (SRC) supports down sampling 2:1 and 4:1
- One ARC input or output support

1.4. ESD and Latch-up

Conforming to JEDEC standards

1.5. Control Capability

- Individual control of Hot Plug Detect (HPD) for every input port
- Achieved through the local I²C bus

1.6. Packaging

100-pin, 14 mm × 14 mm, 0.5 mm pitch TQFP package with an ePad.

2. Functional Description

Figure 2.1 shows the functional block diagram of the SiI9535 port processor.

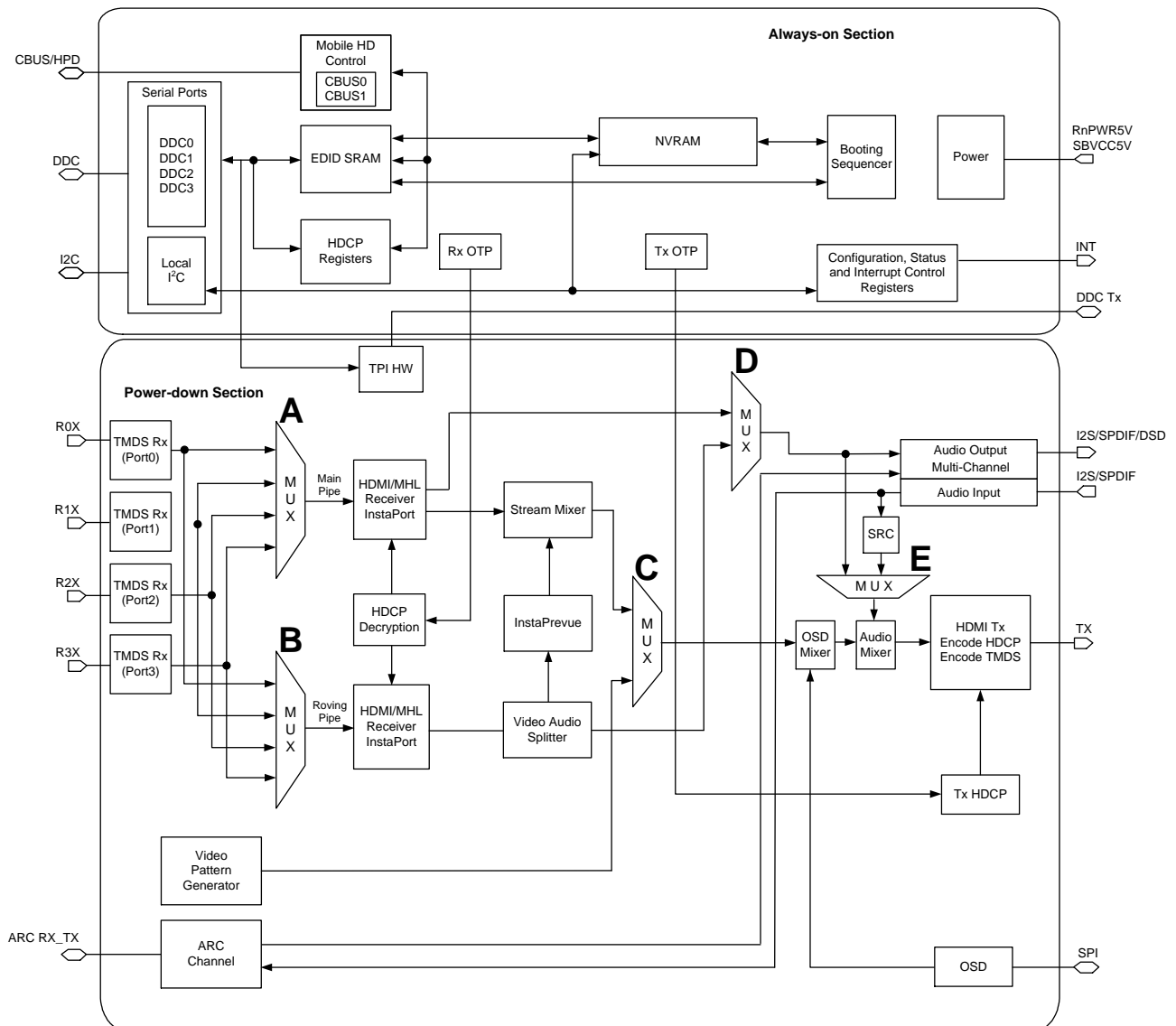


Figure 2.1. Functional Block Diagram

2.1. Always-on Section

The Always-on section contains the low-speed control circuits of the HDMI connection, and includes the I²C interfaces, internal memory blocks, and the registers that control the blocks of the Always-on section.

2.1.1. Serial Ports Block

The Serial Ports block provides five I²C serial interfaces: four DDC ports to communicate with the HDMI or DVI hosts, and one local I²C port for initialization and control by a local microcontroller in the AVR or display. Each interface is 5 V tolerant. Figure 2.2 shows the connection of the local I²C port to the system microcontroller.

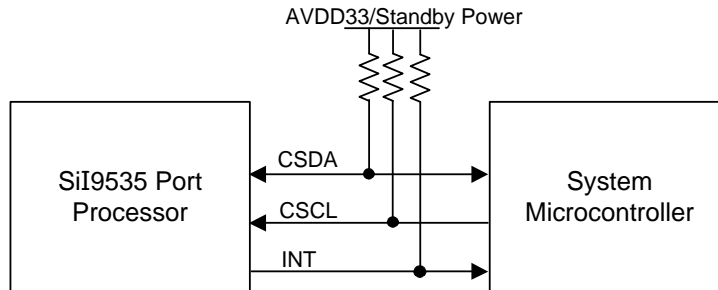


Figure 2.2. I²C Control Mode Configuration

The four DDC interfaces (DDC 0–3) on the SiI9535 port processor are slave interfaces that can run up to 400 kHz. Each interface connects to one E-DDC bus and is used to read the integrated EDID and HDCP authentication information. The port is accessible on the E-DDC bus at device addresses 0xA0 for EDID, and 0x74 for HDCP control. The transmitter DDC master controller supports accessing HDCP and EDID up to 100 kHz. Local I²C can also access the transmitter DDC bus in bypass mode in which case the local I²C clock becomes the clock source.

2.1.2. Static RAM Block

The Static RAM (SRAM) block contains 1792 bytes of RAM. Each port is allocated a 256-byte block for DDC; this allows all ports to be read simultaneously from four different sources connected to the SiI9535 device. 640 bytes are available for the Key Selection Vectors (KSV), while 128 bytes are used for the auto-boot feature. Every EDID and SHA KSV has an offset location. The SRAM can be written to and read from using the local I²C interface and also read through the DDC interface. The memory can be read through the DDC interface using only 5 V power from the HDMI connector.

2.1.3. NVRAM Block

The port processor contains 512 bytes of NVRAM. Of these, 256 bytes are used to store common EDID data that is used by each of the ports, 128 bytes are used by the auto-boot feature, and 128 bytes are unused. Both NVRAM EDID data and NVRAM auto-boot data should be initialized by software, using the local I²C bus at least once during the time of manufacture.

2.1.4. HDCP Registers Block

The HDCP Registers block controls the necessary logic to decrypt the incoming audio and video data. The decryption process is controlled entirely by the host-side microcontroller using a set sequence of register reads and writes through the local I²C channel. The decryption process uses preprogrammed HDCP keys and a Key Selection Vector (KSV) stored in the on-chip nonvolatile memory.

2.1.5. OTP ROM Block

The receiver One-time Programmable (OTP) ROM block is programmed at the factory and contains the preprogrammed HDCP keys. System manufacturers do not need to purchase key sets from Digital Content Protection, LLC. Lattice Semiconductor handles all purchasing, programming, and security for the HDCP keys. The preprogrammed HDCP keys provide the highest level of security possible, as keys cannot be read out of the device after they are programmed.

2.1.6. Booting Sequencer

The Booting Sequencer boots up the required data, such as EDID, initial HPD status, and MHL port selection from NVRAM during power on.

2.1.7. Configuration, Status, and Interrupt Control Block

The Configuration, Status, and Interrupt Control Registers block contains the registers required for configuring and managing the features of the SiI9535 port processor. The registers are used to perform audio, video, and auxiliary format processing. The registers are also used for HDMI InfoFrame packet format and power-down control. The registers are accessible from the local I²C port. This block also handles interrupt operation.

2.1.8. Mobile HD Control Block

The Mobile HD Control block handles MHL DDC control. This block handles CBUS conversion to DDC signals for accessing the EDID and HDCP interface blocks.

2.1.9. Power Block

The Power Block features an analog power multiplexer with inputs from the +5 V power from the R[0–3]PWR5V and the SBVCC5V sources. The output of the analog power multiplexer supplies power to the Always-on section.

2.2. Power-down Section

The Power-down section contains the HDMI high-speed data paths, including the analog TMDS input and output blocks and the digital logic for HDMI data and HDCP processing.

2.2.1. Input Multiplexer Blocks

There are five Input Multiplexer blocks in the Power-down section. Blocks A and B are 4:1 Input Multiplexers, while Blocks C, D and E are 2:1 Input Multiplexers.

Input Multiplexer Block A selects one of the four TMDS inputs and sends it to the main pipe while Input Multiplexer Block B selects one of the four TMDS inputs and sends it to the roving pipe.

The specific function of the multiplexers is determined by whether InstaPort S or InstaPrevue is enabled. In InstaPort S or InstaPrevue modes, Multiplexer Block A selects the active input and sends it to the main pipe for processing. Multiplexer Block B sequentially selects one of the three inactive inputs and sends it to the InstaPort S or InstaPrevue blocks for processing.

Input Multiplexer Block C selects either main pipe or video pattern generator source and sends it to HDMI output transmitter.

Input Multiplexer Block D selects either the decoded audio stream from the TMDS input to main pipe, or the roving pipe, and sends it to Audio Output block.

Input Multiplexer Block E selects either the inserted audio, or the audio coming from the Multiplexer Block D, and sends it to the transmitter.

2.2.2. TMDS Receiver Blocks

The TMDS Receiver blocks, defined as Port 0, Port 1, Port 2, and Port 3, are terminated separately, equalized under the control of the receiver digital block, and controlled by the local I²C bus. Input data is oversampled by five to enable the downstream DPLL block to capture the most stable signal.

2.2.3. HDMI, MHL, and InstaPort S Receiver Blocks

The HDMI, MHL, and InstaPort S Receiver blocks perform:

- Deskewing
- Packet analysis
- Processing the main pipe and roving pipe
- Multiplexing
- Repeater functions
- HDCP authentication

The SiI9535 device supports four 300 MHz HDMI input ports. MHL can be enabled on any two input ports, by programming a register in the NVRAM. See [MHL Receiver](#) section on page 32.

2.2.4. Video/Audio Splitter Block

The Video/Audio Splitter block separates the video and audio data from the TMDS stream for the roving pipe. The video is sent to the InstaPrevue block and the audio is sent to Multiplexer Block D. This can be used in the InstaPrevue Picture-in-Picture (PIP) mode where a single subwindow is displayed on the main video. The audio from the subwindow replaces the audio from the main video before it is sent to the transmitter.

2.2.5. InstaPrevue Block

The InstaPrevue block captures and processes all of the preauthenticated HDMI/DVI/MHL subframe images from the roving pipe. The operating preview mode is configured in this block.

2.2.6. Stream Mixer Block

The Stream Mixer block replaces a region of the main port video with a subframe image from the InstaPrevue block. It merges subframes with the main video input at the proper screen locations specified by external software register settings.

2.2.7. Video Pattern Generator Block

The Video Pattern Generator (VPG) block supplies one of eight predefined video patterns to the HDMI transmitter. The predefined video patterns are:

- Solid red
- Solid green
- Solid blue
- Solid black
- Solid white
- Ramp
- 8 × 6 chessboard
- Color bars

The resolutions of the video patterns in the RGB color space are: 480p, 576p, 720p @ 50/60 Hz, and 1080p @ 50 Hz video resolutions.

An example use of the VPG is to combine the predefined video pattern with an external audio input to create a complete HDMI stream that can be sent out of the HDMI transmitter to a soundbar. The VPG can be used for test purposes during product development.

The VPG requires a pixel clock for its operation. The crystal oscillator (XCLK), audio VCO clock, HDMI input clock or roving pipe clock can be used to generate the pixel clock for the VPG. If the crystal oscillator (XCLK) or the audio VCO clock is used as the clock source for the VPG, the frequency of the external audio crystal must be 27 MHz to generate the correct pixel clock frequencies for the VPG. Incorrect pixel clock frequencies are generated if the external audio crystal used is not 27 MHz. The XCLK is generated from the external audio crystal.

Table 2.1 shows the pixel clock source and frequency for the VPG at 480p, 576p, 720p and 1080p video resolutions. Refer to the *SiI9533 and SiI9535 Port Processor Programmer Reference* document (see [References](#) section on page 38) for details about configuring the VPG. *The Programmer's Reference requires an NDA with Lattice Semiconductor.*

Table 2.1. Pixel Clock Source and Frequency

Video Resolution	Pixel Clock Source	Pixel Clock Frequency
480p, 576p	XCLK/Main/Roving Pipe	27 MHz
720p @ 50/60 Hz	Audio VCO clock/Main/Roving Pipe	(27 MHz) • (11/4) = 74.25 MHz
1080p @ 50/60 Hz	Main/Roving Pipe	148.5 MHz

The audio VCO clock PLL is shared with the audio extraction logic. Therefore, if the audio VCO clock is used for the VPG, the audio extraction mode must be disabled.

2.2.8. Audio Sampling Rate Converter Block

The audio Sampling Rate Converter (SRC) block allows the inserted 2-channel PCM audio from the audio port to be downsampled before combining with the HDMI stream from the main pipe and sending to the transmitter. The audio data can be downsampled by a factor of two or four by register control. Conversions from the following frequencies are supported:

- 192 kHz to 48 kHz
- 176.4 kHz to 44.1 kHz
- 96 kHz to 48 kHz
- 88.2 kHz to 44.1 kHz

2.2.9. On-screen Display Controller

The On-screen Display Controller (OSD) block supports a text-based on-screen display that allows for up to four character-based windows to be overlaid onto the video displayed from the transmitter HDMI output. The OSD supports three font sizes: 12 x 16, 16 x 24 and 24 x 32 pixels, to provide flexibility for choosing the character and icon size in the OSD windows.

All HDMI 2D as well as the 3D video formats support OSD as shown in [Table 6.3](#) on page 33. OSD can be combined on the displayed video along with InstaPrevue windows to form a complete menu system.

A 12 kB on-chip RAM stores the OSD font bitmaps and window index information. The OSD memory can be loaded by the host microcontroller through the I²C bus or from an external flash memory through the Serial Peripheral Interface (SPI). The SPI supports clock frequencies of 1.6875 MHz, 3.375 MHz, 13.5 MHz and 27 MHz. This interface reads and writes the external flash memory. The host microcontroller can program the external flash memory using I²C through the SPI interface.

Some of the supported Serial Flash commands are:

- WREN – Write Enable
- CPER – Chip Erase
- PROG – Program

2.2.10. Audio Input Block

The Audio Input block supports external audio insertion into the transmitted HDMI streams. The inserted audio to the audio port is 2-channel I²S or S/PDIF.

Audio port insertion supports the following audio formats:

- I²S, two channels: PCM, two channels
- S/PDIF, IEC 60958
 - PCM, two channels
 - Compressed bitstream: Dolby Digital, Dolby Digital Plus, Dolby Digital EX, Dolby Digital Surround EX DTS, DTS ES

The SiI9535 I²S audio port insertion requires SCK, WS, and SD0 signals for 2-channel I²S. The SiI9535 device supports CTS and N value generation without requiring an MCLK input.

The SiI9535 audio port S/PDIF insertion shares the same pin with SD0 of the I²S insertion. The function of this pin is configured by software.

The audio inserted into the audio port can be combined with the audio dropped HDMI stream from the main pipe and sent to the transmitter.

2.2.11. Audio Output Block

The Audio Output block supports audio extraction from the received HDMI/MHL streams. The extracted audio is 8-channel I²S, 6-channel DSD, or S/PDIF audio.

The audio port extraction includes:

- I²S, eight channels
 - PCM, up to eight channels
 - HBR, such as Dolby TrueHD, DTS-HD Master Audio
- DSD, six channels
- S/PDIF, IEC 60958
 - PCM, two channels
 - Compressed bitstream: Dolby Digital, Dolby Digital Plus, Dolby Digital EX, Dolby Digital Surround EX DTS, DTS ES

By default, the audio port is configured for 8-channel I²S audio extraction from the main pipe. The SiI9535 port processor I²S audio extraction provides MUTEOUT, MCLK, SCK, WS, SD0, SD1, SD2, and SD3 signals for 8-channel I²S from the audio port. The SiI9535 port processor audio port I²S, DSD, and S/PDIF audio extraction pins are shared. The functions of these pins are configured by software.

2.2.12. Audio Return Channel Input and Output

The Audio Return Channel (ARC) feature eliminates an extra cable when it sends audio from an HDMI sink device to an adjacent HDMI source or repeater device. This is done by allowing a single IEC60958-1 audio stream to travel in the opposite direction of the TMDS signal on its own conductor in the HDMI cable. The HDMI sink device implements the ARC transmitter, and the HDMI source or repeater device implements the ARC receiver.

The SiI9535 device provides an ARC transceiver channel. The pin can be configured to operate as an ARC transmitter or an ARC receiver. The SiI9535 device designed into an AVR can use the ARC receiver feature. For an ARC transmitter, the ARC transceiver pin is connected to the ARC pin of the connector for the HDMI receiver port that is designated as ARC-capable. For an ARC receiver, the ARC transceiver pin is connected to the ARC pin of the HDMI connector for the transmitter port that is designated as ARC-capable. The SiI9535 device supports only single-mode ARC.

2.2.13. TMDS Transmitter Block

The TMDS Transmitter block performs HDCP encryption and 8-to-10-bit TMDS encoding on the data to be transmitted over the HDMI link. The encoded data is sent to the three TMDS differential data lines, along with a TMDS differential clock line. Internal source termination eliminates the use of external R-C components for signal shaping. The internal source termination can be disabled by register settings.

3. Electrical Specifications

3.1. Absolute Maximum Conditions

Table 3.1. Absolute Maximum Conditions

Symbol	Parameter	Min	Typ	Max	Unit	Notes
AVDD33	TMDS Core Supply Voltage	-0.3	—	4.0	V	1, 2
IOVCC33	I/O Supply Voltage	-0.3	—	4.0	V	1, 2
SBVCC5V	5 V Standby Power Supply Voltage	-0.3	—	5.7	V	1, 2
R[0–3]PWR5V	5 V Input from Power Pin of HDMI Connector	-0.3	—	5.7	V	1, 2
XTALVCC33	PLL Crystal Oscillator Power	-0.3	—	4.0	V	1, 2
AVDD10	TMDS Receiver Core Supply Voltage	-0.3	—	1.5	V	1, 2
APLL10	PLL Analog VCC	-0.3	—	1.5	V	1, 2
CVDD10	Digital Core Supply Voltage	-0.3	—	1.5	V	1, 2
TDVDD10	TMDS Transmitter Core Supply Voltage	-0.3	—	1.5	V	1, 2
TPVDD10	TMDS Transmitter Core Supply Voltage	-0.3	—	1.5	V	1, 2
V _I	Input Voltage	-0.3	—	IOVCC33 + 0.3	V	1, 2
V _O	Output Voltage	-0.3	—	IOVCC33 + 0.3	V	1, 2
T _J	Junction Temperature	0	—	125	°C	—
T _{STG}	Storage Temperature	-65	—	150	°C	—

Notes:

- Permanent device damage can occur if absolute maximum conditions are exceeded.
- Functional operation should be restricted to the conditions described in the [Normal Operating Conditions](#) section below.

3.2. Normal Operating Conditions

The supply voltage noise is measured at test point VDDTP shown in [Figure 3.1](#) on the next page. The ferrite bead provides filtering of power supply noise. The figure also applies to other VDD pins.

Table 3.2. Normal Operating Conditions

Symbol	Parameter	Min	Typ	Max	Unit
AVDD33	TMDS Core Supply Voltage	3.14	3.3	3.46	V
IOVCC33	I/O Supply Voltage	3.14	3.3	3.46	V
SBVCC5V	5 V Standby Power Supply Voltage	4.5	5.0	5.5	V
R[0–3]PWR5V	5 V Input from Power Pin of HDMI Connector	4.5	5.0	5.5	V
XTALVCC33	PLL Crystal Oscillator Power	3.14	3.3	3.46	V
AVDD10	TMDS Receiver Core Supply Voltage	0.95	1.0	1.05	V
APLL10	PLL Analog VCC	0.95	1.0	1.05	V
CVDD10	Digital Core Supply Voltage	0.95	1.0	1.05	V
TDVDD10	TMDS Transmitter Core Supply Voltage	0.95	1.0	1.05	V
TPVDD10	TMDS Transmitter Core Supply Voltage	0.95	1.0	1.05	V
V _{DDN}	Supply Voltage Noise	—	—	100	mV _{P-P}
T _A	Ambient Temperature (with power applied)	0	+25	+70	°C
θ _{ja}	Ambient Thermal Resistance (Theta JA)*	—	27.3	—	°C/W
θ _{jc}	Junction to Case Resistance (Theta JC)*	—	—	11.0	°C/W

Note: 4-layer PCB.

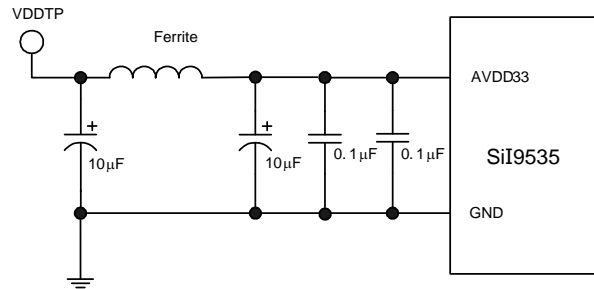


Figure 3.1. Test Point VDDTP for AVDD33 Noise Tolerance Specification

3.3. DC Specifications

Table 3.3. Digital I/O DC Specifications

Symbol	Parameter	Pin Type	Conditions	Min	Typ	Max	Unit
V_{IH}	HIGH-level Input Voltage	LVTTL	—	2.0	—	—	V
V_{IL}	LOW-level Input Voltage	LVTTL	—	—	—	0.8	V
V_{TH+DDC}	LOW-to-HIGH Threshold, DDC Buses	Schmitt	—	3.0	—	—	V
V_{TH-DDC}	HIGH-to-LOW Threshold, DDC Buses	Schmitt	—	—	—	1.5	V
V_{TH+I2C}	LOW-to-HIGH Threshold, I ² C Buses	Schmitt	—	2.0	—	—	V
V_{TH-I2C}	HIGH-to-LOW Threshold, I ² C Buses	Schmitt	—	—	—	0.8	V
V_{OH}	HIGH-level Output Voltage	LVTTL	—	2.4	—	—	V
V_{OL}	LOW-level Output Voltage	LVTTL	—	—	—	0.4	V
I_{OL}	Output Leakage Current	—	High-impedance	-10	—	10	µA
I_{OD4}	4 mA Digital Output Driver	LVTTL	$V_{OUT} = 2.4\text{ V}$	4	—	—	mA
			$V_{OUT} = 0.4\text{ V}$	4	—	—	mA
$V_{TH+RESET}$	LOW-to-HIGH Threshold, Reset	Schmitt	—	2.0	—	—	V
$V_{TH-RESET}$	HIGH-to-LOW Threshold, Reset	Schmitt	—	—	—	0.8	V

Table 3.4. TMDS Input DC Specifications – HDMI Mode

Symbol	Parameter	Conditions	Min	Typ	Max	Units
V_{ID}	Differential Mode Input Voltage	—	150	—	1200	mV
V_{ICM}	Common Mode Input Voltage	—	AVDD33 – 400	—	AVDD33 – 37.5	mV

Table 3.5. TMDS Input DC Specifications – MHL Mode

Symbol	Parameter	Conditions	Min	Typ	Max	Units
V_{IDC}	Single-ended Input DC Voltage	—	AVDD33 – 1200	—	AVDD33 – 300	mV
V_{IDF}	Differential Mode Input Swing Voltage	—	200	—	1000	mV
V_{ICM}	Common Mode Input Swing Voltage	—	170	—	The smaller of 720 and $0.85 V_{IDF}$	mV

Table 3.6. TMD5 Output DC Specifications

Symbol	Parameter	Conditions	Min	Typ	Max	Units
V _{SWING}	Single-ended Output Swing Voltage	R _{LOAD} = 50 Ω	400	—	600	mV
V _H	Single-ended HIGH-level Output Voltage	—	AVDD33 – 200	—	AVDD33 + 10	mV
V _L	Single-ended LOW-level Output Voltage	—	AVDD33 – 700	—	AVDD33 – 400	mV

Table 3.7. Single Mode Audio Return Channel DC Specifications

Symbol	Parameter	Conditions	Min	Typ	Max	Units
V _{el}	Operating DC Voltage	—	0	—	5	V
V _{el swing}	Swing Amplitude	—	400	—	600	mV

Table 3.8. S/PDIF Input Port DC Specifications

Symbol	Parameter	Conditions	Min	Typ	Max	Units	Notes
Z _{L_SPDIF}	Termination Impedance	—	—	75	—	Ω	1
		—	—	4	—	kΩ	2
V _{I_SPDIF}	Input Voltage	75 Ω termination, AC-coupled	400	—	600	mV _{PP}	3

Notes:

1. This impedance is implemented with an external 75 Ω resistor to ground and is used when the interconnection is over a 75 Ω COAX cable.
2. This is the internal impedance of the S/PDIF input.
3. The S/PDIF input can also be safely driven at LVTTTL voltage levels without AC-coupling. The 75 Ω termination is not required in this case.

Table 3.9. CBUS DC Specifications

Symbol	Parameter	Conditions	Min	Typ	Max	Units
V _{IH_CBUS}	HIGH-level Input Voltage	—	1.0	—	—	V
V _{IL_CBUS}	LOW-level Input Voltage	—	—	—	0.6	V
V _{OH_CBUS}	HIGH-level Output Voltage	I _{OH} = –100 μA	1.5	—	—	V
V _{OL_CBUS}	LOW-level Output Voltage	I _{OL} = 100 μA	—	—	0.2	V
Z _{DSC_CBUS}	Pull-down Resistance – Discovery	—	800	1000	1200	Ω
Z _{ON_CBUS}	Pull-down Resistance – Active	—	90	100	110	kΩ
I _{IL_CBUS}	Input Leakage Current	High-impedance	—	—	1	μA
C _{CBUS}	Capacitance	Power Off	—	—	30	pF

Table 3.10. Power Requirements

Symbol	Parameter	Min	Typ	Max	Unit	Note
I _{APLL10}	Supply Current for APLL10	—	—	2	mA	1
I _{AVDD10}	Supply Current for AVDD10	—	—	145	mA	1
I _{AVDD33}	Supply Current for AVDD33	—	—	204	mA	1
I _{IOVCC33}	Supply Current for IOVCC33	—	—	6	mA	1
I _{XTALVCC33}	Supply Current for XTALVCC33	—	—	6	mA	1
I _{CVDD10}	Supply Current for CVDD10	—	—	371	mA	1
I _{SBVCC5STBY}	Supply Current for SBVCC5V in Standby mode	—	—	21	mA	2
I _{SBVCC5ACT}	Supply Current for SBVCC5V in Active mode	—	—	28	mA	1
I _{TDVDD10}	Supply Current for TDVDD10	—	—	28	mA	1
I _{TPVDD10}	Supply Current for TPVDD10	—	—	7	mA	1
Total	Total Power	—	—	1.54	W	1

Notes:

1. With all 300 MHz HDMI receiver inputs, InstaPort S, InstaPrevue, audio outputs, and OSD On and 300 MHz transmitter output.
2. With no active AV sources connected to the HDMI receiver inputs.

3.4. AC Specifications

Table 3.11. TMDS Input Timing AC Specifications – HDMI Mode

Symbol	Parameter	Conditions	Min	Typ	Max	Units
T _{RXDPS}	Intrapair Differential Input Skew	—	—	—	0.4	T _{BIT}
T _{RXCCS}	Channel-to-Channel Differential Input Skew	—	—	—	0.2 T _{PIXEL} + 1.78	ns
F _{RXC}	Differential Input Clock Frequency	—	25	—	300	MHz
T _{RXC}	Differential Input Clock Period	—	3.33	—	40	ns
T _{UIIT}	Differential Input Clock Jitter Tolerance (0.3 T _{BIT})	300 MHz	—	—	100	ps

Table 3.12. TMDS Input Timing AC Specifications – MHL Mode

Symbol	Parameter	Conditions	Min	Typ	Max	Units
T _{SKREW_DF}	Input Differential Intrapair Skew	—	—	—	93	ps
T _{SKREW_CM}	Input Common-mode Intrapair Skew	—	—	—	93	ps
F _{RXC}	Differential Input Clock Frequency	—	25	—	75	MHz
T _{RXC}	Differential Input Clock Period	—	13.33	—	40	ns
T _{CLOCK_JIT}	Common-mode Clock Jitter Tolerance	—	—	—	0.9 T _{BIT}	ps
T _{DATA_JIT}	Differential Data Jitter Tolerance	—	—	—	0.6 T _{BIT}	ps

Table 3.13. TMDS Output Timing AC Specifications

Symbol	Parameter	Conditions	Min	Typ	Max	Units
T _{TXDPS}	Intrapair Differential Output Skew	—	—	—	0.15	T _{BIT}
T _{TXRT}	Data/Clock Rise Time	20%–80%	75	—	—	ps
T _{TXFT}	Data/Clock Fall Time	80%–20%	75	—	—	ps
F _{TXC}	Differential Output Clock Frequency	—	25	—	300	MHz
T _{TXC}	Differential Output Clock Period	—	3.33	—	40	ns
T _{DUTY}	Differential Output Clock Duty Cycle	—	40%	—	60%	T _{TXC}
T _{OJIT}	Differential Output Clock Jitter	—	—	—	0.25	T _{BIT}

Table 3.14. Single Mode Audio Return Channel AC Specifications

Symbol	Parameter	Conditions	Min	Typ	Max	Units
T _{ASMRT}	Rise Time	10%–90%	—	—	60	ns
T _{ASMFT}	Fall Time	90%–10%	—	—	60	ns
T _{ASMJIT}	Jitter Max	—	—	—	0.05	UI*
F _{ASMDEV}	Clock Frequency Deviation	—	–1000	—	1000	ppm

*Note: Proportional to unit time (UI), according to sample rate. Refer to S/PDIF Specification.

Table 3.15. CBUS AC Specifications

Symbol	Parameter	Conditions	Min	Typ	Max	Units
T _{BIT_CBUS}	Bit Time	1 MHz clock	0.8	—	1.2	μs
T _{BJIT_CBUS}	Bit-to-Bit Jitter	—	–1%	—	+1%	T _{BIT_CBUS}
T _{DUTY_CBUS}	Duty Cycle of 1 Bit	—	40%	—	60%	T _{BIT_CBUS}
T _{R_CBUS}	Rise Time	0.2 V–1.5 V	5	—	200	ns
T _{F_CBUS}	Fall Time	0.2 V–1.5 V	5	—	200	ns
ΔT _{RF}	Rise-to-Fall Time Difference	—	—	—	100	ns

3.4.1. Control Signal Timing Specifications

Under normal operating conditions, unless otherwise specified.

Table 3.16. Control Signal Timing Specifications

Symbol	Parameter	Conditions	Min	Typ	Max	Units	Note
T _{RESET}	RESET_N Signal LOW Time required for reset	—	50	—	—	μs	1
T _{I2CDVD}	SDA Data Valid Delay from SCL falling edge on READ command	C _L = 400 pF	—	—	700	ns	2, 5
T _{HDDAT}	I ² C Data Hold Time	0–400 kHz	0	—	—	ns	3, 5, 6
T _{INT}	Response Time for INT output pin from change in input condition (HPD, Receiver Sense, VSYNC change, etc.)	RESET_N = HIGH	—	—	100	μs	—
F _{SCL}	Frequency on Master DDC SCL Signal	—	40	70	100	kHz	4
F _{CSCL}	Frequency on Master CSCL Signal	—	40	—	400	kHz	—

Notes:

- Reset on RESET_N signal can be LOW as the supply becomes stable (shown in [Figure 4.1](#) on page 20), or pulled LOW for at least T_{RESET} (shown in [Figure 4.2](#) on page 20).
- All standard-mode (100 kHz) I²C timing requirements are guaranteed by design. These timings apply to the slave I²C port (pins CSDA and CSCL) and to the master I²C port (pins DSDA and DSCL).
- This minimum hold time is required by CSCL and CSDA signals as an I²C slave. The device does not include the 300 ns internal delay required by the I²C Specification (Version 2.1, Table 5, note 2).
- The master DDC block provides an SCL signal for the E-DDC bus. The HDMI Specification limits this to I²C Standard Mode or 100 kHz.
- Operation of I²C pins above 100 kHz is defined by LVTTTL levels V_{IH}, V_{IL}, V_{OH}, and V_{OL}. For these levels, I²C speed up to 400 kHz (fast mode) is supported.
- All I²C timings for 400 kHz operation follow those defined for Fast-Mode I²C

Table 3.17. Audio Crystal Frequency

Symbol	Parameter	Conditions	Min	Typ	Max	Units
F _{XTAL}	External Crystal Frequency	—	26	27	28.5	MHz

Note: F_{XTAL} must be 27 MHz if the crystal oscillator (XCLK) is used as the clock source for the Video Pattern Generator.

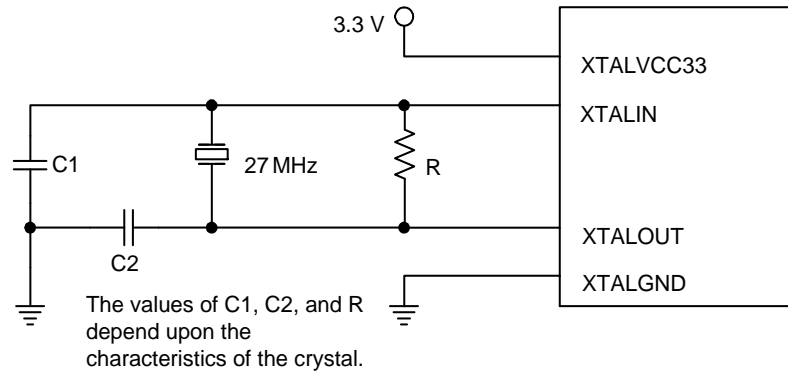


Figure 3.2. Audio Crystal Schematic

Note: The XTALIN/XTALOUT pin pair must be driven with a clock in all applications.

3.4.2. Audio Input Timing

Table 3.18. S/PDIF Input Port AC Specifications

Symbol	Parameter	Conditions	Min	Typ	Max	Units	Figure	Notes
F _{S_SPDIF}	Sample Rate	2-Channel	32	—	192	kHz	—	—
T _{SPCYC}	S/PDIF Cycle Time	C _L = 10 pF	—	—	1.0	UI	Figure 4.5	1
T _{SPDUTY}	S/PDIF Duty Cycle	C _L = 10 pF	90%	—	110%	UI	Figure 4.5	1

Note: Refer to the notes for Table 3.19.

Table 3.19. I²S Input Port AC Specifications

Symbol	Parameter	Conditions	Min	Typ	Max	Units	Figure	Notes
F _{S_I2S}	Sample Rate	—	32	—	192	kHz	—	—
T _{SCKCYC}	I ² S Cycle Time	C _L = 10 pF	—	—	1.0	UI	Figure 4.4	1
T _{SCKDUTY}	I ² S Duty Cycle	C _L = 10 pF	90%	—	110%	UI	Figure 4.4	—
T _{I2SSU}	I ² S Setup Time	C _L = 10 pF	15	—	—	ns	Figure 4.4	2
T _{I2SHD}	I ² S Hold Time	C _L = 10 pF	0	—	—	ns	Figure 4.4	2

Notes:

1. Proportional to unit time (UI) according to sample rate. Refer to the I²S or S/PDIF Specifications.
2. Setup and hold minimum times are based on 13.388 MHz sampling, which is adapted from Figure 3 of the Philips I²S Specification.

3.4.3. Audio Output Timing

Table 3.20. I²S Output Port AC Specifications

Symbol	Parameter	Conditions	Min	Typ	Max	Units
T _{TR}	SCK Clock Period (Tx)	C _L = 10 pF	1.0	—	—	T _{TR}
T _{HC}	SCK Clock HIGH Time	C _L = 10 pF	0.35	—	—	T _{TR}
T _{LC}	SCK Clock LOW Time	C _L = 10 pF	0.35	—	—	T _{TR}
T _{SU}	Setup Time, SCK to SD/WS	C _L = 10 pF	0.4 T _{TR} - 5	—	—	ns
T _{HD}	Hold Time, SCK to SD/WS	C _L = 10 pF	0.4 T _{TR} - 5	—	—	ns
T _{SCKDUTY}	SCK Duty Cycle	C _L = 10 pF	40	—	60	% T _{TR}
T _{SCK2SD}	SCK to SD or WS Delay	C _L = 10 pF	-5.0	—	5.0	ns

Note: Refer to Figure 4.6 on page 22.

Table 3.21. S/SPDIF Output Port AC Specifications

Symbol	Parameter	Conditions	Min	Typ	Max	Units
T _{SPCYC}	SPDIF Cycle Time	C _L = 10 pF	—	1.0	—	UI ¹
F _{SPDIF}	SPDIF Frequency	—	4.0	—	24.0	MHz
T _{SPDUTY}	SPDIF Duty Cycle	C _L = 10 pF	90.0	—	110.0	% T _{SPCYC}
T _{MCLKCYC}	MCLK Cycle Time	C _L = 10 pF	20.0	—	250	ns
F _{MCLK}	MCLK Frequency	C _L = 10 pF	4.0	—	50.0	MHz
T _{MCLKDUTY}	MCLK Duty Cycle	C _L = 10 pF	45	—	65	% T _{MCLKCYC}

Notes:

1. Proportional to unit time (UI), according to sample rate. Refer to the S/SPDIF Specification.
2. Refer to [Figure 4.7](#) and [Figure 4.8](#) on page 22.

3.5. Serial Flash SPI Interface Specifications

Table 3.22. Serial Flash AC Specifications

Symbol	Parameter	Min	Typ	Max	Units
F _{SCLK}	Clock Frequency	1.6875	—	27	MHz
T _{SCLKH}	Clock HIGH Time	16	—	—	ns
T _{SCLKL}	Clock LOW Time	16	—	—	ns
T _{SLCH}	SS Active Setup Time	11	—	—	ns
T _{CHSH}	SS not Active Hold Time	11	—	—	ns
T _{DVCH}	SDI Data Out Setup Time	6	—	—	ns
T _{CHDX}	SDI Data Out Hold Time	6	—	—	ns
T _{CLQV}	Clock LOW-to-SDO Data Invalid	—	—	16	ns

Note: Refer to [Figure 4.9](#) on page 23.

4. Timing Diagrams

4.1. Reset Timing Diagrams

VCC must be stable between the limits shown in the [Normal Operating Conditions](#) section on page 13 for T_{RESET} before RESET_N goes HIGH, as shown in [Figure 4.1](#). Before accessing registers, RESET_N must be pulled LOW for T_{RESET} . This can be done by holding RESET_N LOW until T_{RESET} after stable power, or by pulling RESET_N LOW from a HIGH state for at least T_{RESET} , as shown in [Figure 4.2](#).

Note: VCC can be one of RnPPWR5V or SBVCC5V.

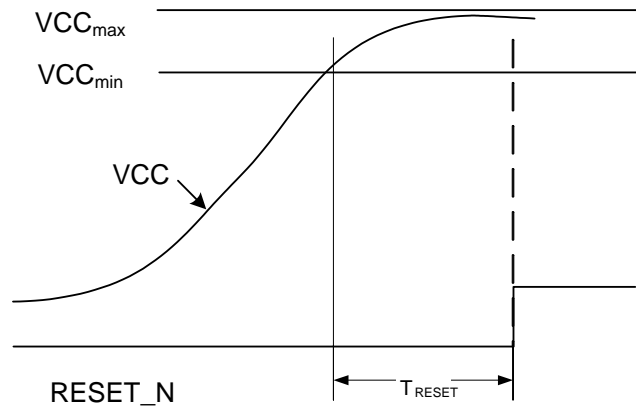


Figure 4.1. Conditions for Use of RESET_N

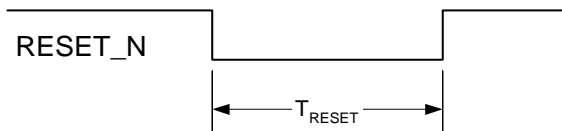


Figure 4.2. RESET_N Minimum Timing

4.2. I²C Timing Diagram

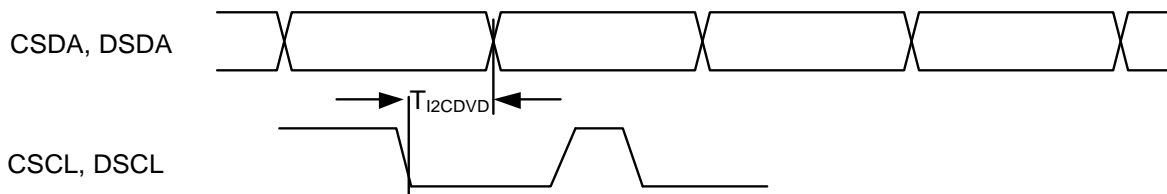


Figure 4.3. I²C Data Valid Delay, Driving Read Cycle Data

4.3. Digital Audio Input Timing

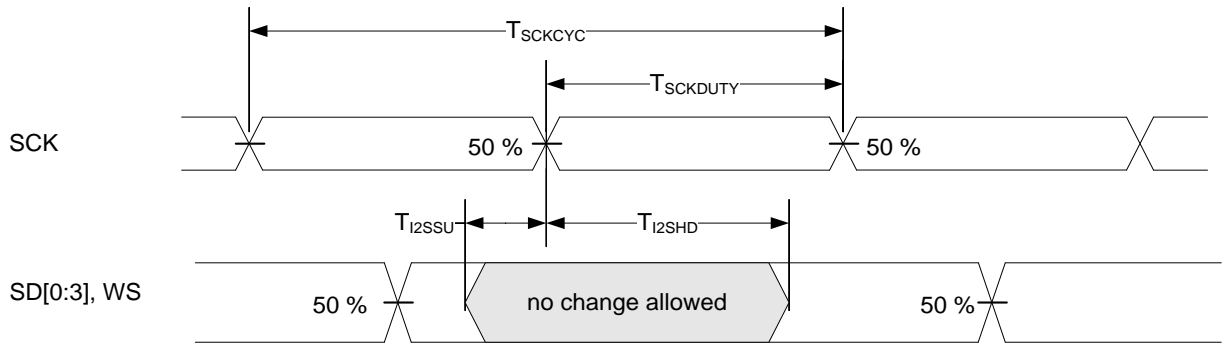


Figure 4.4. I²S Input Timing

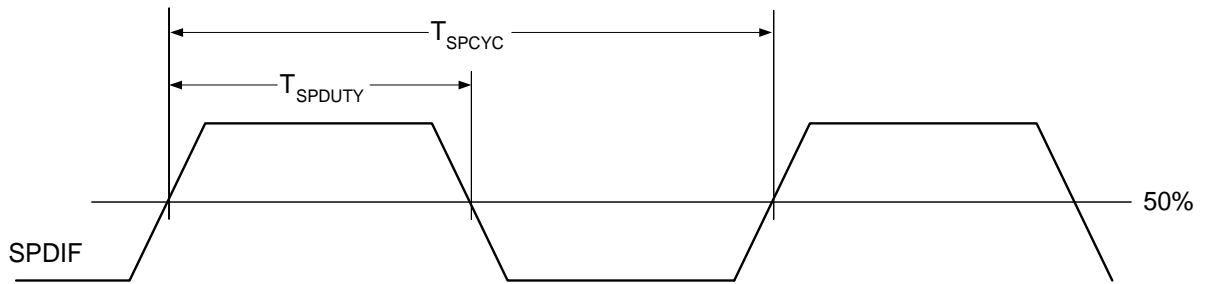


Figure 4.5. S/PDIF Input Timing

4.4. Digital Audio Output Timing

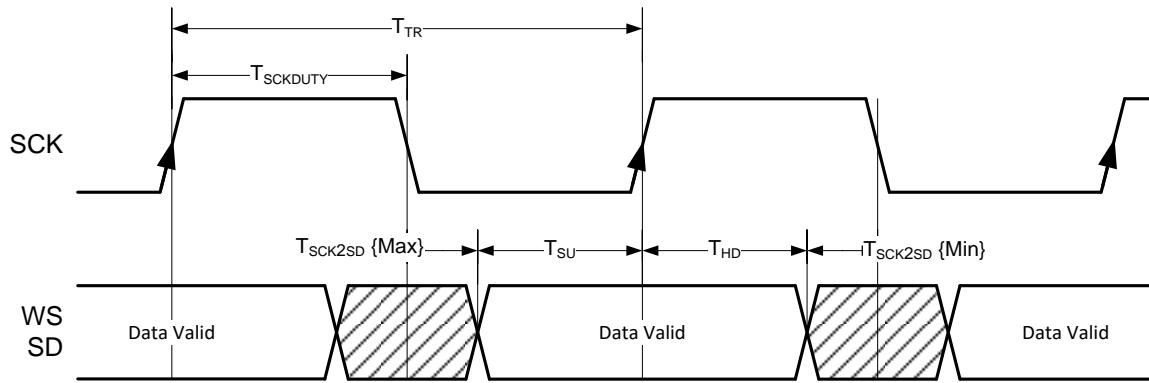


Figure 4.6. I²S Output Timing

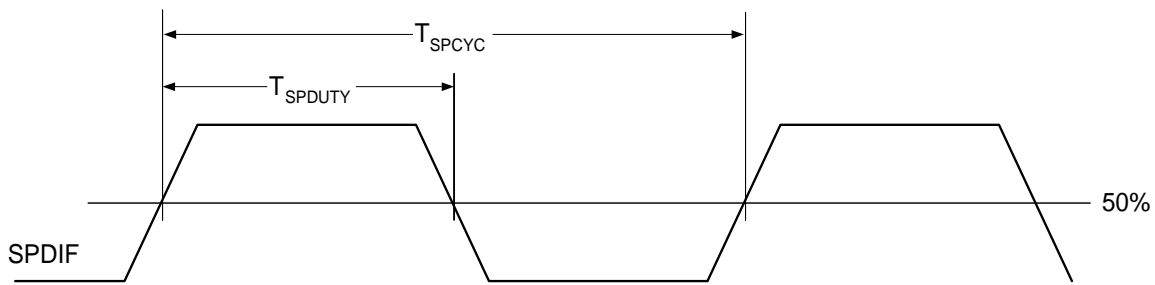


Figure 4.7. S/PDIF Output Timing

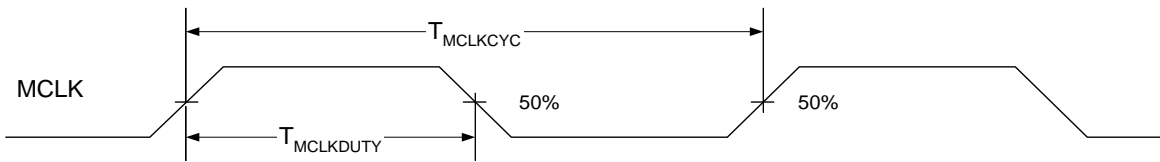


Figure 4.8. MCLK Timing

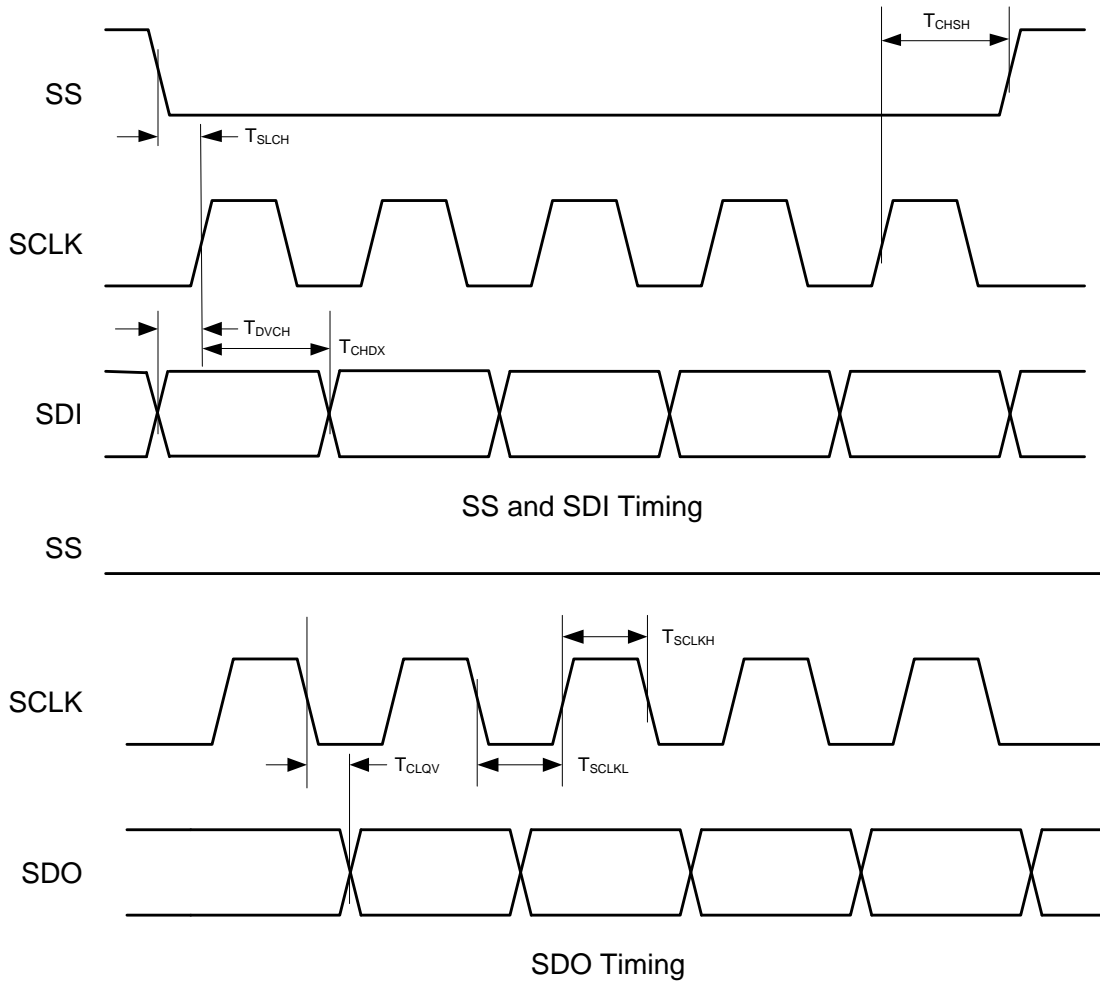


Figure 4.9. SPI Flash Memory Timing

5. Pin Diagram and Pin Descriptions

5.1. Pin Diagram

Figure 5.1 shows the pin assignments of the SiI9535 port processor. The [Pin Descriptions](#) section on the next page describes the pin functions. The package is a 100-pin 14 mm × 14 mm, 0.5 mm pitch TQFP with ePad, which **must** be connected to ground.

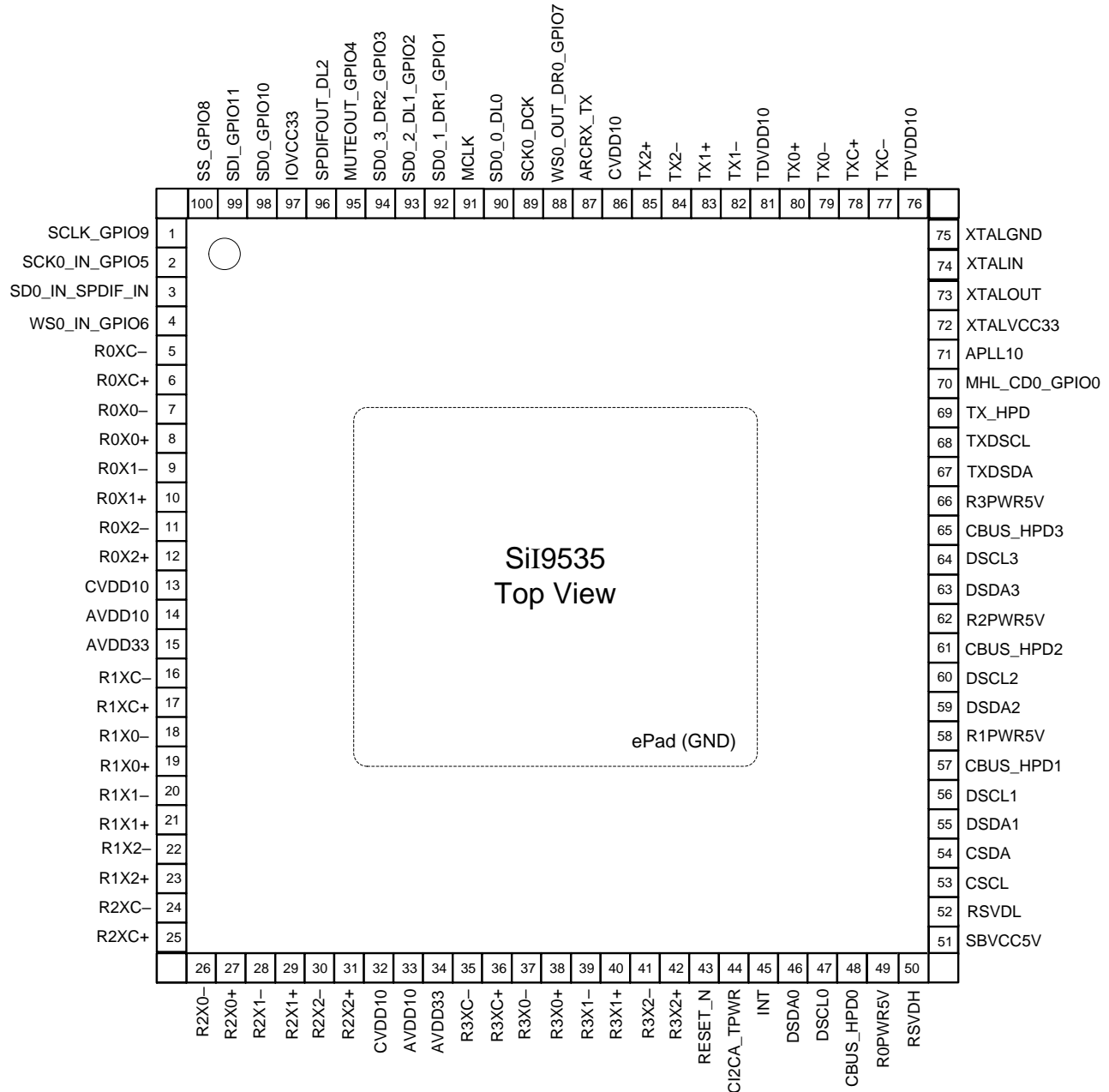


Figure 5.1. Pin Diagram

5.2. Pin Descriptions

5.2.1. HDMI Receiver and MHL Port Pins

Name	Pin	Type	Dir	Description
R0X0+	8	TMDS Analog	Input	HDMI Receiver Port 0 TMDS Input Data Pairs.
R0X0-	7			
R0X1+	10			
R0X1-	9			
R0X2+	12			
R0X2-	11			
R0XC+	6	TMDS Analog	Input	HDMI Receiver Port 0 TMDS Input Clock Pair.
R0XC-	5			
R1X0+	19	TMDS Analog	Input	HDMI Receiver Port 1 TMDS Input Data Pairs.
R1X0-	18			
R1X1+	21			
R1X1-	20			
R1X2+	23			
R1X2-	22			
R1XC+	17	TMDS Analog	Input	HDMI Receiver Port 1 TMDS Input Clock Pair.
R1XC-	16			
R2X0+	27	TMDS Analog	Input	HDMI Receiver Port 2 TMDS Input Data Pairs.
R2X0-	26			
R2X1+	29			
R2X1-	28			
R2X2+	31			
R2X2-	30			
R2XC+	25	TMDS Analog	Input	HDMI Receiver Port 2 TMDS Input Clock Pair.
R2XC-	24			
R3X0+	38	TMDS Analog	Input	HDMI Receiver Port 3 TMDS Input Data Pairs.
R3X0-	37			
R3X1+	40			
R3X1-	39			
R3X2+	42			
R3X2-	41			
R3XC+	36	TMDS Analog	Input	HDMI Receiver Port 3 TMDS Input Clock Pair.
R3XC-	35			

Note: For any two ports, such as Port n and Port m that have been configured as MHL inputs, the $RnX0+$ and $RnX0-$ pin pair and the $RmX0+$ and $RmX0-$ pin pair carry the respective MHL signals.

5.2.2. HDMI Transmitter Port Pins

Name	Pin	Type	Dir	Description
TX0+	80	TMDS Analog	Output	HDMI Transmitter TMDS Output Data Pairs. Main HDMI transmitter output port TMDS data pairs.
TX0-	79			
TX1+	83			
TX1-	82			
TX2+	85			
TX2-	84			
TXC+	78	TMDS Analog	Output	HDMI Transmitter TMDS Output Clock Pair. Main HDMI transmitter output port TMDS clock pair.
TXC-	77			

5.2.3. Audio Pins

Name	Pin	Type	Dir	Description	Default State
MCLK	91	LVTTL 8mA	Output	Master Clock Output.	—
SCK0_DCK	89	LVTTL 4mA	Output	I ² S Serial Clock Output/DSD Clock Output.	SCK0
WS0_OUT_DR0_ GPIO7	88	LVTTL 4mA	Output	I ² S Word Select Output/DSD Data Right Bit 0/ Programmable GPIO 7.	GPIO7
SD0_0_DL0	90	LVTTL 4mA	Input/ Output	I ² S Serial Data 0 Output/DSD Data Left Bit 0 Output.	SD0_0
SD0_1_DR1_ GPIO1	92	LVTTL 4mA	Input/ Output	I ² S Serial Data 1 Output/DSD Data Right Bit 1 Output/ Programmable GPIO 1.	GPIO1
SD0_2_DL1_ GPIO2	93	LVTTL 4mA	Input/ Output	I ² S Serial Data 2 Output/DSD Data Left Bit 1 Output/ Programmable GPIO 2.	GPIO2
SD0_3_DR2_ GPIO3	94	LVTTL 4mA	Input/ Output	I ² S Serial Data 3 Output/DSD Data Right Bit 2/ Programmable GPIO 3.	GPIO3
SPDIFOUT_DL2	96	LVTTL 4mA	Output	S/PDIF Output/DSD Data Left Bit 2.	SPDIFOUT
SCK0_IN_GPIO5	2	LVTTL 4mA	Input Output	I ² S Serial Clock Input/Programmable GPIO 5.	GPIO5
WS0_IN_GPIO6	4	LVTTL 4mA	Input/ Output	I ² S Word Select Input/Programmable GPIO 6.	GPIO6
SD0_IN/ SPDIF_IN	3	LVTTL 4mA	Input	I ² S Serial Data Input/S/PDIF Input.	See Table Note
MUTEOUT/ GPIO4	95	LVTTL 4mA	Input/ Output	Mute Audio Output/Programmable GPIO 4.	GPIO4
ARCRX_TX	87	Analog	Input/ Output	Audio Return Channel. This pin is used to transmit or receive an IEC60958-1 audio stream. In ARC transmitter mode, received on the SPDIF_IN input pin, this pin transmits an S/PDIF signal to an ARC receiver-capable source device (such as HTiB) or a repeater device (such as AVR), using single-mode ARC. In ARC receiver mode, transmitted through the SPDIFOUT pin, this pin receives an S/PDIF signal from an ARC transmitter-capable sink device (such as DTV), using single-mode ARC. The channel can either be an ARC input or an ARC output at a time.	—

Note: Since audio insertion is not enabled by default, either SD0_IN or SPDIF_IN is configured based on programming.

5.2.4. Configuration Pins

Name	Pin	Type	Dir	Description
CI2CA_TPWR	44	LVTTL 5 V tolerant	Input/ Output	I ² C Slave Address Input/Transmit Power Sense Output. During Power-on-Reset (POR), this pin is used as an input to latch the I ² C subaddress. The level on this pin is latched when the POR transitions from the asserted state to the deasserted state. After completion of POR, this pin is used as the TPWR output. A register setting can change this pin to show if the active port is receiving a TMDS clock.
INT	45	Schmitt Open-drain 8 mA 3.3 V tolerant	Output	Interrupt Output. This is an open-drain output and requires an external pull-up resistor.

5.2.5. Control Pins

Name	Pin	Type	Dir	Description
CSCL	53	LVTTTL Schmitt Open-drain 5 V tolerant	Input	Local Configuration/Status I ² C Clock. Chip configuration/status is accessed using this I ² C port. This pin is true open-drain, so it does not pull to ground if power is not supplied. See Figure 2.2 on page 8.
CSDA	54	LVTTTL Schmitt Open-drain 5 V tolerant	Input/ Output	Local Configuration/Status I ² C Data. Chip configuration/status is accessed using this I ² C port. This pin is true open-drain, so it does not pull to ground if power is not supplied. See Figure 2.2 on page 8.
RESET_N	43	LVTTTL Schmitt 5 V tolerant	Input	External reset. Active LOW. Should be pulled to 3.3 V supply.

5.2.6. Crystal Pins

Name	Pin	Type	Dir	Description
XTALOUT	73	LVTTTL 4 mA	Output	Crystal Clock Output.
XTALIN	74	LVTTTL 5 V tolerant	Input	Crystal Clock Input.

5.2.7. DDC I²C Pins

Name	Pin	Type	Dir	Description
DSDA0	46	LVTTTL Schmitt Open-drain 5 V tolerant	Input/ Output	DDC I ² C Data for respective HDMI receiver port.
DSDA1	55			These signals are true open-drain, and do not pull to ground when power is not applied to the device. These pins require an external pull-up resistor.
DSDA2	59			
DSDA3	63			
DSCL0	47	LVTTTL Schmitt Open-drain 5 V tolerant	Input/ Output	DDC I ² C Clock for respective HDMI receiver port.
DSCL1	56			These signals are true open-drain, and do not pull to ground when power is not applied to the device. These pins require an external pull-up resistor.
DSCL2	60			
DSCL3	64			
TXDSDA	67	LVTTTL Schmitt Open-drain 5 V tolerant	Input/ Output	DDC Master I ² C Data for HDMI transmitter Port. This signal is true open-drain, and does not pull to ground when power is not applied to the device. This pin requires an external pull-up resistor.
TXDSCCL	68	LVTTTL Schmitt Open-drain 5 V tolerant	Input/ Output	DDC Master I ² C Clock for HDMI transmitter Port. This signal is true open-drain, and does not pull to ground when power is not applied to the device. This pin requires an external pull-up resistor.

5.2.8. SPI Interface Pins

Name	Pin	Type	Dir	Description	Default State
SS_GPIO8	100	LVTTTL 4 mA	Input/ Output	SPI Slave Select/Programmable GPIO 8.	GPIO8
SCLK_GPIO9	1	LVTTTL Schmitt Open-drain 5 V tolerant	Input/ Output	SPI Clock/Programmable GPIO 9.	GPIO9
SDO_GPIO10	98	LVTTTL Schmitt Open-drain 5 V tolerant	Input/ Output	SPI Slave Data Output/Master Data Input/Programmable GPIO 10.	GPIO10
SDI/GPIO11	99	LVTTTL Schmitt Open-drain 5 V tolerant	Input/ Output	SPI Slave Data Input/Master Data Output/Programmable GPIO 11.	GPIO11

5.2.9. System Switching Pins

Name	Pin	Type	Dir	Description	Default State
R0PWR5V	49	LVTTTL 5 V tolerant	Input	5 V Port Detection Input for respective HDMI receiver port. Connect to 5 V signal from HDMI input connector. These pins require a 10 Ω series resistor, a 5.1 k Ω pull-down resistor, and at least a 1 μ F capacitor to ground.	—
R1PWR5V	58				—
R2PWR5V	62				—
R3PWR5V	66				—
CBUS_HPD0	48	LVTTTL 1.5 mA 5 V tolerant Analog	Input/ Output	Hot Plug Detect Output for the respective HDMI receiver port. In MHL mode, these pins serve as the respective CTRL BUS.	—
CBUS_HPD1	57				—
CBUS_HPD2	61				—
CBUS_HPD3	65				—
TX_HPD	69	LVTTTL, Schmitt 5 V tolerant	Input	Hot Plug Detect Input for HDMI transmitter port.	—
MHL_CD0_ GPIO0	70	LVTTTL Schmitt Open-drain 5 V tolerant	Input/ Output	MHL Cable Detect 0/Programmable GPIO 0.	MHL_CD0_ GPIO0*

*Note: MHL_CD0_GPIO0 pad is in input mode by default.

5.2.10. Power and Ground Pins

Name	Pin	Type	Description	Supply
AVDD33	15, 34	Power	TMDS Core VDD. AVDD33 should be isolated from other system supplies to prevent leakage from the source device through the TMDS input pins. AVDD33 should not be used to power other system components that can be adversely affected by such leakage.	3.3 V
IOVCC33	97	Power	I/O VCC.	3.3 V
SBVCC5V	51	Power	Local Power from system. This pin requires a 10 Ω series resistor.	5.0 V
AVDD10	14, 33	Power	TMDS Receiver Core VDD.	1.0 V
CVDD10	13, 32, 86	Power	Digital Core Potential.	1.0 V
APLL10	71	Power	PLL Analog VCC.	1.0 V
TPVDD10	76	Power	Analog Power for TMDS Transmitter Core.	1.0 V
TDVDD10	81	Power	Digital Power for TMDS Transmitter Core.	1.0 V
XTALVCC33	72	Power	PLL Crystal Oscillator Power.	3.3 V
XTALGND	75	Ground	PLL Crystal Oscillator Ground.	GND
GND	ePad	Ground	The ePad must be soldered to ground, as this is the only ground connection for the device.	GND

5.2.11. Reserved

Name	Pin	Type	Description	Supply
RSVDL	52	—	Reserved Low	—
RSVDH	50	—	Reserved High	3.3 V

6. Feature Information

6.1. Standby and HDMI Port Power Supplies

The SBVCC5V port processor 5 V standby power supply pin can be used to supply power to the EDID when all other power supplies are turned off. This arrangement results in a low-power mode, but allows the EDID to be readable.

Table 6.1 summarizes the power modes available in the SiI9535 port processor. Figure 6.1 shows a block diagram of the standby power supply sources and the Always-On power island.

Table 6.1. Description of Power Modes

Power Mode	Description	SBVCC5	RnPWR5V	AVDD33	AVDD10
Power-on mode	All power supplies to the SiI9535 chip are On. All functions are available. The standby power supply is 5 V.	5 V	NA	3.3 V	1.0 V
Standby power mode	The Always-On power domain is On, supplied from the internal power MUX. All other supplies are Off. The standby power supply is 5 V. In this mode, EDID is functional, but video and audio processing is not performed and all outputs are Off.	5 V	NA	Off	Off
HDMI Port only power	Power is Off to the device. HDMI +5 V from the HDMI cable is the only power source. For example, if the TV is unplugged from the AC wall outlet, the EDID is functional in this mode.	Off	5 V on any input	Off	Off

Note: All other supplies are On in the power-on mode and Off in all other modes.

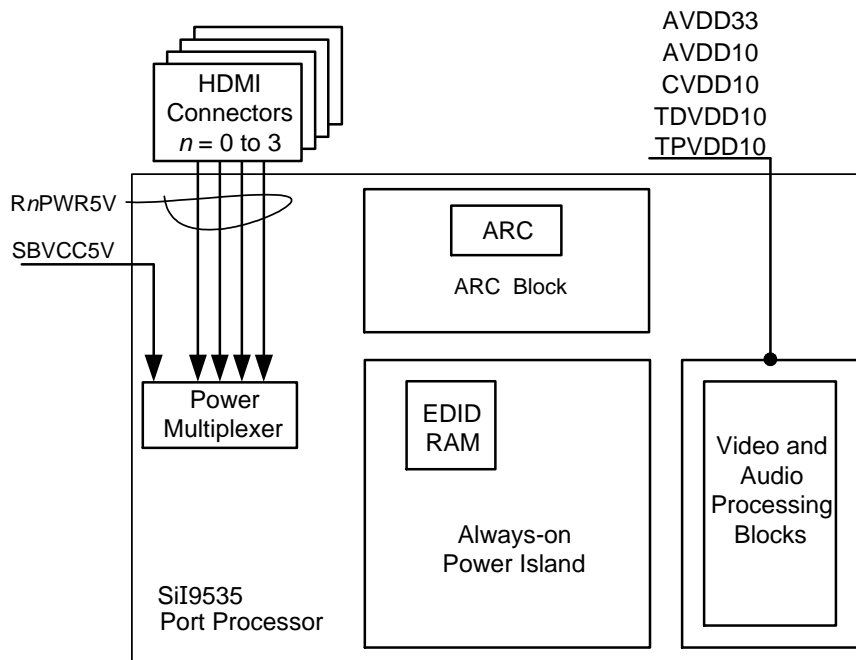


Figure 6.1. Standby Power Supply Diagram

If all power is off to the device (for example, if the AVR or TV is unplugged from the AC electrical outlet), the EDID can still be read from the source by using power from the HDMI connector +5 V signal. In this case, the internal power MUX automatically switches to the HDMI connector power for powering the Always-on logic. In this mode, only the EDID is functional; all other functions of the device are in power-off mode. No damage occurs to the device in this mode.

6.2. InstaPort S

The SiI9535 port processor supports the InstaPort S HDCP preauthentication feature, which reduces the HDCP authentication time. HDCP authentication is started on an upstream (input) port immediately after a source device is connected, regardless of whether the port is currently selected for output to the downstream sink device. All nonselected ports are HDCP authenticated in this manner. As soon as HDCP is authenticated, it is maintained in the background. When a nonselected port is selected, the authenticated content is immediately available. This feature reduces port switching time to less than one second.

6.3. InstaPrevue

The SiI9535 device incorporates the InstaPrevue feature, which periodically provides updated Picture-in-Picture previews of each connected source device. The contents of each preauthenticated TMDS source device that is not being viewed is displayed as a small subwindow overlaid onto the main video that is currently being viewed. With this feature, DTV and AVR manufacturers can provide end-users with a content-based, rather than a text-based user interface for changing or selecting among various Blu-ray disc players, set-top boxes, DVD players, game consoles, or other HDMI/DVI/MHL connected sources.

InstaPrevue operates in one of three modes:

- The *All Preview* mode displays one to three subwindows, selected by the user, regardless of whether a source device is connected or not. A subwindow with a manufacturer-defined color is displayed for an unconnected source device.
- The *Active* mode displays only the subwindow of a connected, active, and authenticated source device.
- The *Selected* mode displays a single subwindow of a connected source device, selected by the user, and is intended as a Picture-in-Picture preview.

The supported combinations of main video display and InstaPrevue window formats are shown in [Table 6.2](#). InstaPrevue is compatible with RGB, YC4:4:4, and YC4:2:2 color formats.

Table 6.2. Supported Conditions of Main Video and InstaPreview Displays

Main Video Display Format	InstaPrevue Window Format	Supported?
All supported 2D Resolutions	All supported 2D Resolutions except 4K x 2K	Yes
	720p and 1080p 3D Frame Packing	Yes
	480p and 1080i 3D Frame Packing	No
	3D Side-by Side (Half)	No
	3D Side-by-Side (Full)	No
	3D Top-and-Bottom	No
720p and 1080p 3D Frame Packing	All supported 2D Resolutions except 4K x 2K	Yes
	720p and 1080p 3D Frame Packing	Yes
	480p and 1080i 3D Frame Packing	No
	3D Side-by Side (Half)	No
	3D Top-and-Bottom	No
480p and 1080i 3D Frame Packing	All Formats	No
3D Top-and-Bottom		
3D Side-by-Side (Half)		
3D Side-by-Side (Full)		

6.4. MHL Receiver

The SiI9535 port processor supports the Mobile High-definition Link (MHL) as a sink device on two of the four receiver ports. One port can be configured by the hardware, while the other can be configured by firmware. MHL is a high-speed multimedia data transfer protocol intended for use between mobile and display devices. The SiI9535 device supports HDMI and MHL modes simultaneously on the two selected receiver ports. When an HDMI source is connected, the receiver port is configured as an HDMI port. When an MHL source is connected, an MHL cable detect sense signal from the cable is asserted and sent to the SiI9535 device. A signal is also sent to the host microcontroller as an interrupt to configure the receiver port as an MHL port, and to initiate the CBUS discovery process.

MHL carries video, audio, auxiliary, control data, and power, across a cable consisting of five conductors. One connection is for a dedicated ground that is used as the 0 V reference for the signals on the remaining four connections. Two other conductors form a single-channel TMDS differential signal pair to send video, audio and auxiliary data from the source device to the sink device. On the SiI9535 device, the MHL TMDS channel differential signal pair pins are shared with the RX0+ and RX0– pins of the HDMI TMDS channel differential signal pair.

Another connection is for the MHL Control Bus (CBUS). The CBUS carries control information that provides configuration and status exchanges between the source and the sink devices. CBUS is a software/hardware protocol that supports four types of packet transfers: Display Data Control (DDC), Vendor-specific, MHL Sideband Channel (MSC), and a reserved type.

EDID data can be transferred between the source and sink devices using the CBUS. On the SiI9535 device, the CBUS signal pin is shared with the HPD signal pin. Another connection is used as the VBUS which provides +5 V power to charge the connected MHL source device. An external power switch is used on the system board to supply the +5 V power to the VBUS. Enabling the switch provides the +5 V power on the VBUS when the MHL source is connected and the MHL cable detect signal is asserted. The sink device can also supply power to the MHL source after MHL discovery and cable detect signal is done.

6.5. 3D Video Formats

The SiI9535 port processor supports the pass-through of 3D video modes described in the HDMI Specification. All modes support the following color formats:

- RGB 4:4:4
- YCbCr 4:4:4
- YCbCr 4:2:2 color formats

The modes also support 8-, 10-, and 12-bit data-width per color component. [Table 6.3](#) on the next page shows only the maximum possible resolution with a given frame rate. For example, Side-by-Side (Half) mode is defined for 1080p @ 60 Hz, which infers that 720p @ 60 Hz and 480p @ 60 Hz are also supported. Further, a frame rate of 24 Hz also means that a frame rate of 23.98 Hz is supported and a frame rate of 60 Hz also means that a frame rate of 59.94 Hz is supported. The input pixel clock changes accordingly.

The SiI9535 device supports pass-through of the HDMI Vendor-specific InfoFrame that carries 3D information to the receiver. It also supports extraction of the HDMI Vendor-specific InfoFrame, which allows the 3D information contained in the InfoFrame to be passed to the host system over the I²C port.

Table 6.3. Supported 3D Video Formats

3D Format	Extended Definition	Resolution	Frame Rate (Hz)	Input Pixel Clock (MHz)
Frame Packing	—	1080p	50/60	297
Side-by-Side	full			
Line Alternative	—			
L+ Depth	—			
Frame Packing	—	1080p	24/30	148.35
		720p/1080i	50/60	
Side-by-Side	full	1080p	24/30	
		720p/1080i	30/50/60	
	half	1080p	50/60	
Top-and-Bottom	—	1080p	50/60	74.25
		1080p	24/30	
		720p/1080i	50/60	
Line Alternative	—	1080p	24/30	148.5
		720p/1080i	50/60	
Field Alternative	—	1080i	50/60	
L+ depth	—	1080p	24/30	
Frame Packing	—	720p	30	148.5
		480p/480i	60	54
		576p/576i	50	
		VGAp (640 x 1005)	60	50.35
Side-by-Side	full	480p	60	54
		576p/576i	50	
		2560 x 720p	24	118.6
		VGAp (1280 x 480)	60	50.35
	half	1080i/720p	50	74.25
		720p	60	
		1080p	24/30	74.17
		1080i	60	
		720p	30	
		480p/480i	60	27
		576p/576i	50	
VGAp (640 x 480)	60	25.17		
Top-and-Bottom	—	480p/480i	60	27
		576p/576i	50	
		720p	30	74.17
		720p	24	59.34
		VGAp (640 x 480)	60	25.17

7. Design Recommendations

7.1. Power Supply Decoupling

Designers should include decoupling and bypass capacitors at each power signal in the layout. These are shown schematically in [Figure 7.1](#). Connections in one group, such as AVDD33 can share C2, C3, and the ferrite, with each pin having a separate C1 placed as close to the pin as possible. [Figure 7.2](#) is representative of the various types of power connections on the port processor.

The recommended impedance of the ferrite is 10 Ω or more in the frequency range of 1 MHz to 2 MHz.

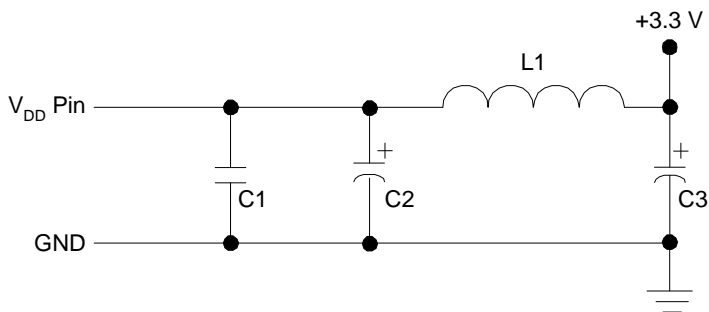


Figure 7.1. Decoupling and Bypass Schematic Diagram

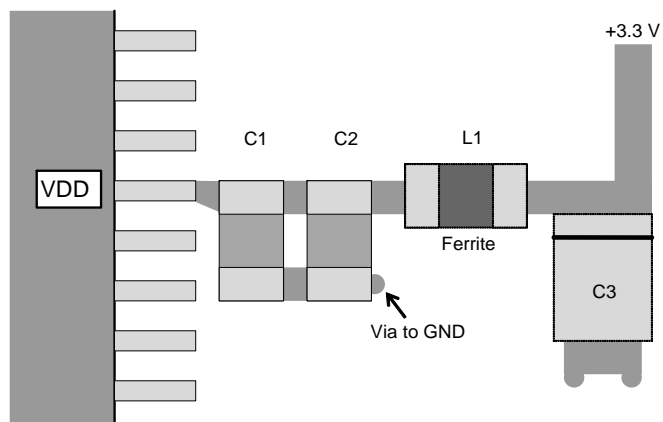


Figure 7.2. Decoupling and Bypass Capacitor Placement

7.2. Power Supply Control Timing and Sequencing

All power supplies in the SiI9535 port processor are independent. However, identical supplies must be provided at the same time. For example, both AVDD33 supplies must be turned on at the same time.

8. Package Information

8.1. ePad Requirements

The SiI9535 chip is packaged in a 100-pin, 14 mm × 14 mm TQFP package with an exposed pad (ePad) that is used for the electrical ground of the device and for improved thermal transfer characteristics. The ePad dimensions are 5.0 mm × 5.0 mm (±0.20 mm). Soldering the ePad to the ground plane of the PCB is **required** to meet package power dissipation requirements at full speed operation, and to correctly connect the chip circuitry to electrical ground. A clearance of at least 0.25 mm should be designed on the PCB between the edge of the ePad and the inner edges of the lead pads to avoid the possibility of electrical short circuit.

The thermal land area on the PCB may use thermal vias to improve heat removal from the package. These thermal vias also double as the ground connections of the chip and must attach internally in the PCB to the ground plane. An array of vias should be designed into the PCB beneath the package. For optimum thermal performance, the via diameter should be 12 mils to 13 mils (0.30 mm to 0.33 mm) and the via barrel should be plated with 1-ounce copper to plug the via. This design helps to avoid any solder wicking inside the via during the soldering process, which may result in voids in solder between the pad and the thermal land. If the copper plating does not plug the vias, the thermal vias can be tented with solder mask on the top surface of the PCB to avoid solder wicking inside the via during assembly. The solder mask diameter should be at least 4 mils (0.1 mm) larger than the via diameter.

Package stand-off when mounting the device also needs to be considered. For a nominal stand-off of approximately 0.1 mm, the stencil thickness of 5 mils to 8 mils should provide a good solder joint between the ePad and the thermal land.

[Figure 8.1](#) on the next page shows the package dimensions of the SiI9535 port processor.

8.2. Package Dimensions

These drawings are not to scale. All dimensions are in millimeter.

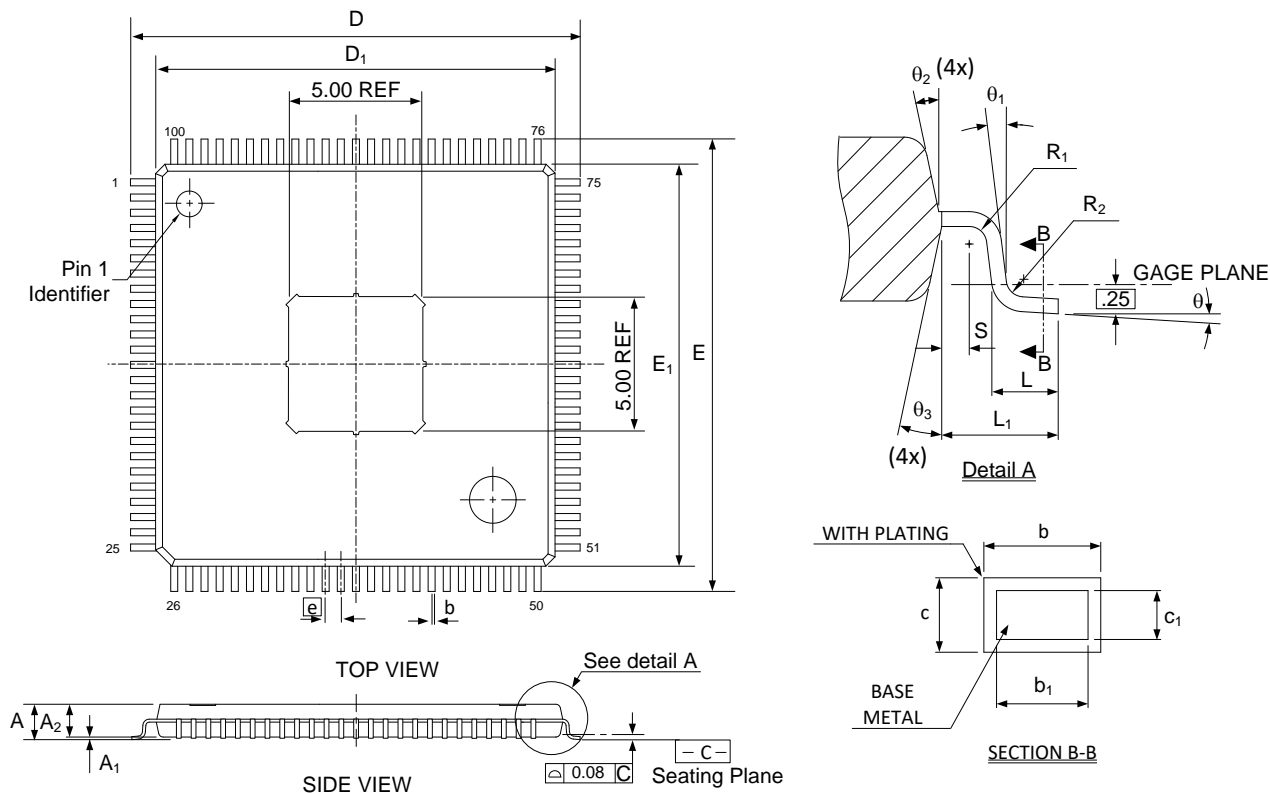


Figure 8.1. Package Diagram

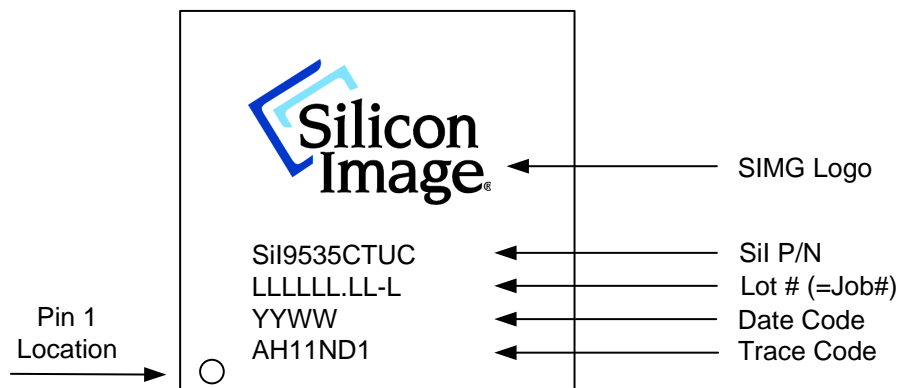
JEDEC Package Code MS-026

Item	Description	Min	Typ	Max
A	Thickness	—	—	1.20
A ₁	Stand-off	0.05	—	0.15
A ₂	Body thickness	0.95	1.00	1.05
b	Lead width (with plating)	0.17	0.22	0.27
b ₁	Lead width (base metal)	0.17	0.20	0.23
c	Lead thickness (with plating)	0.09	—	0.20
c ₁	Lead thickness (base metal)	0.09	—	0.16
D	Footprint	16.00 BSC		
D ₁	Body size	14.00 BSC		
E	Footprint	16.00 BSC		
E ₁	Body size	14.00 BSC		

Item	Description	Min	Typ	Max
e	Lead pitch	0.50 BSC		
L	Lead foot length	0.45	0.60	0.75
L ₁	Total lead length	1.00 REF		
R ₁	Lead radius, inside	0.08	—	—
R ₂	Lead radius, outside	0.08	—	0.20
S	Lead horizontal run	0.20	—	—
θ	—	0°	3.5°	7°
θ ₁	—	0°	—	—
θ ₂	—	11°	12°	13°
θ ₃	—	11°	12°	13°
ccc	—	0.08		

8.3. Marking Specification

Figure 8.2 shows the markings of the SiI9535 package. This drawing is not to scale.



Trace code letter 'N' = SPIL Assembly site and copper wire

Figure 8.2. Marking Diagram

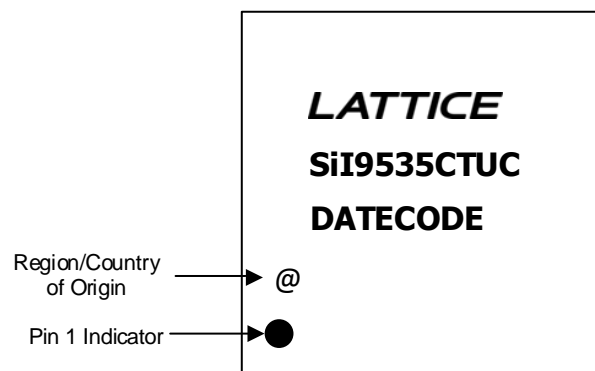


Figure 8.3. Alternate Marking Diagram

8.4. Ordering Information

Production Part Numbers:

Device	Part Number
Port Processor with ARC, InstaPort S and InstaPrevue, 300 MHz	SiI9535CTUC

References

Standards Documents

This is a list of the standards abbreviations appearing in this document.

Abbreviation	Standards publication, organization, and date
HDMI	<i>High Definition Multimedia Interface</i> , Revision 2.0, HDMI Consortium; September 2013 <i>High Definition Multimedia Interface</i> , Revision 1.4b, HDMI Consortium; October 2011
HCTS	<i>HDMI Compliance Test Specification</i> , Revision 1.4b, HDMI Consortium; October 2011
HDCP	<i>High-bandwidth Digital Content Protection</i> , Revision 1.4, Digital Content Protection, LLC; July 2009
DVI	<i>Digital Visual Interface</i> , Revision 1.0, Digital Display Working Group; April 1999
E-EDID	<i>Enhanced Extended Display Identification Data Standard</i> , Release A Revision 1, VESA; Feb. 2000
E-DID IG	<i>VESA EDID Implementation Guide</i> , VESA, June 2001
CEA-861-E	<i>A DTV Profile for Uncompressed High Speed Digital Interfaces</i> , EIA/CEA, March 2008
EDDC	<i>Enhanced Display Data Channel Standard</i> , Version 1.1, VESA; March 2004
MHL	<i>MHL (Mobile High-definition Link) Specification</i> , Version 2.0, MHL, LLC, February 2012

Standards Groups

For information on the specifications that apply to this document, contact the responsible standards groups appearing on this list.

Standards Group	Web URL
ANSI/EIA/CEA	http://global.ihs.com
VESA	http://www.vesa.org
HDCP	http://www.digital-cp.com
DVI	http://www.ddwg.org
HDMI	http://www.hdmi.org
MHL	http://www.mhlconsortium.org

Lattice Semiconductor Documents

This is a list of the related documents that are available from your Lattice Semiconductor sales representative. *The Programmer's Reference requires an NDA with Lattice Semiconductor.*

Document	Title
Sii-AN-1079	<i>Sii9575-Sii9535 Firmware Comparison Application Note</i>
Sii-UG-1104	<i>Sii9535 Port Processor Starter Kit User Guide</i>
Sii-QS-1104	<i>Sii9535 Port Processor Starter Kit Quick Start Guide</i>
Sii-PR-1074	<i>Sii9533 and Sii9535 Port Processor Programmer Reference</i>
Sii-SW-1196	<i>Sii9535 Starter Kit Firmware Software</i>

Technical Support

For assistance, submit a technical support case at www.latticesemi.com/techsupport.

Revision History

Revision D, May 2017

[Figure 8.3. Alternate Marking Diagram](#) added per PCN13A16.

Revision C, March 2016

Formatted to latest template.

Revision C, July 2014

Updated [Audio Inputs and Outputs](#) section.

Revision B, October 2013

Support for 4K @ 50/60 Hz added.

Revision A, September 2013

First production release.



7th Floor, 111 SW 5th Avenue

Portland, OR 97204, USA

T 503.268.8000

www.latticesemi.com