



GSV2201D

DisplayPort 1.4 to HDMI 2.0 Converter with
Embedded MCU

May, 2023

Preliminary Product Specification

1. General Description

1.1 General Information

Gscoolink GSV2201D is a high-performance, low-power, USB Type-C Alternate Mode DisplayPort 1.4 to HDMI 2.0 converter. By integrating enhanced microcontroller and flash, GSV2201D has created a cost-effective solution that provides time-to-market advantages. The DisplayPort Receiver supports up to 32.4Gbps (HBR3, 4-lane) and HDMI Transmitter supports up to 18Gbps (TMDS, 6G3Lane). Integrated Power Delivery 3.0 controller handles Type-C CC interface for USB power management and DisplayPort mode entry. The superior architecture of GSV2201D provides economical smaller footprint solutions using QFN48, targeting application of Type-C Hub.

GSV2201D supports all DisplayPort SDP packets pass-through to HDMI output. HDCP 1.4 and HDCP2.2/2.3 are implemented in GSV2201D for both DisplayPort Rx and HDMI Tx. Color Space Conversion, 444/422-420 Converter are supported at HDMI Tx in TMDS mode.

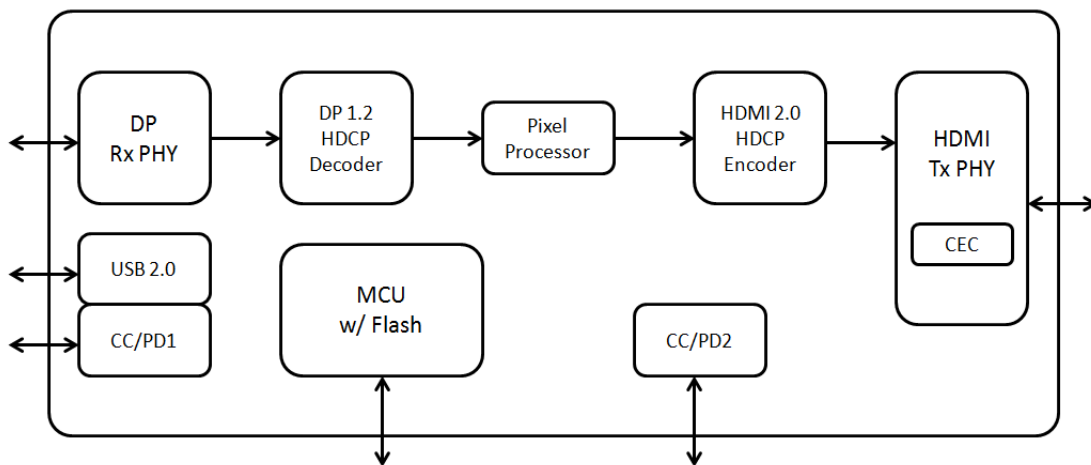


Figure 1. Top Diagram

The supported audio formats are listed in Table 1

Table 1. Supported Audio Format

Packet ID	Packet Type	Sampling Frequency (KHz)		
		32/44.1/48/88.2/ 96/176.4/192	256/352.8/384/ 512/705.6/768	64/128

0x02	Audio Sample Packet (LPCM and Compressed Audio)	Y		Y
0x07	One Bit Audio Sample Packet	Y		
0x08	DST Audio Packet	Y		
0x09	High Bit-rate Audio Stream Packet	Y	Y	

1.2 Features

1.2.1 DisplayPort Receiver

- Compliant with VESA DisplayPort 1.4
- Compliant with HDCP 1.4/HDCP2.1
- Support HBR3, HBR2, HBR and RBR (8.1/5.4/2.7/1.62 Gbps)
- Flexible 1/2/4 lane Main-Link configuration
- Programmable Adaptive Equalization
- Support Full-Link Training and No-Link Training
- Support High Dynamic Range (HDR) and Dynamic/Static Metadata
- Support Horizontal Blanking Expansion up to 4K@60Hz format
- Support Forward Error Correction (FEC)
- Embedded arbitrary EDID and MCCS
- Support Spread Spectrum Clock (SSC)

1.2.2 HDMI Transmitter

- Compliant with HDMI 2.0b, HDMI 1.4b
- Compliant with HDCP 1.4
- Data rate up to 18Gbps (TMDS 6Gbps/3 Lane)
- Programmable Voltage Swing, Slew-Rate and Pre-emphasis
- Support AC-coupling on TMDS
- Support Color Space Converter
- Support HDR (HDR10/HDR10+/Dolby Vision/HLG)
- Hardware CEC Engine for Low Level protocol decoding
- 5V tolerance on DDC/HPD/CEC pins

1.2.3 USB Type-C Interface

- Dual USB Power Delivery 3.0 Compliant controller
- 2 Configuration Channels (CC) with on-chip Rp/Rd resistors
- Dual Role Power Port (DRP)
- Fast Role Swap
- USB 2.0 Billboard Enumeration

1.2.4 System Features

- Embedded internal MCU and Flash
- External 25MHz Crystal required
- Available Pins for UART/Timer/GPIO

1.3 Chip Application Modes

1.3.1 DP to HDMI Conversion in Type-C Hub Application

Based on the DisplayPort input and output requirement, GSV2201D can dynamically switch between HDMI 1.4 and HDMI 2.0 mode for the best compatibility in 4K/2K timings.

After CC/PD controller tunes Type-C UFP into Alternative DP mode, GSV2201D handles Type-C UFP's TX/RX/SBU for DisplayPort to HDMI conversion. GSV2201D's internal USB 2.0 controller can enumerate Billboard for source identification.

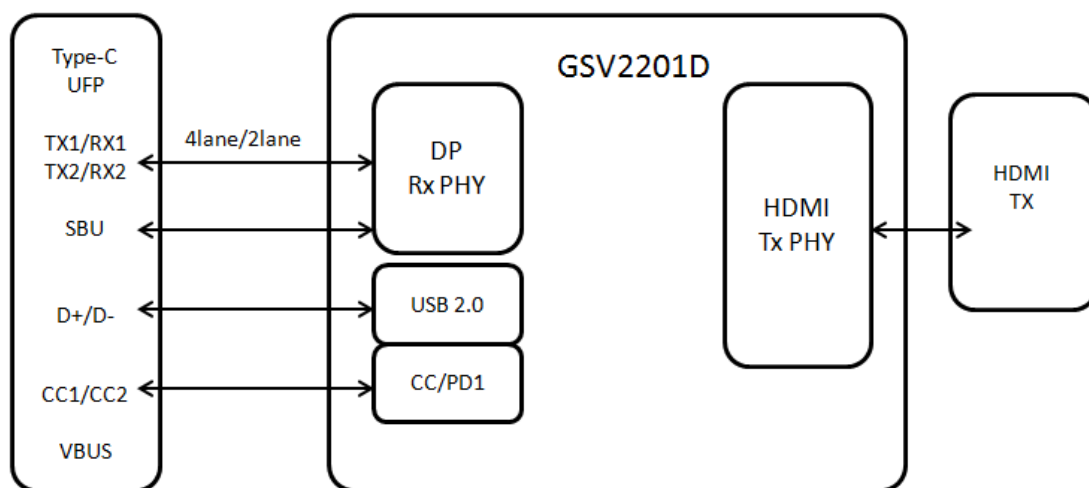


Figure 2. DisplayPort to HDMI TMDS mode Conversion in Hub Application

4. Package Information

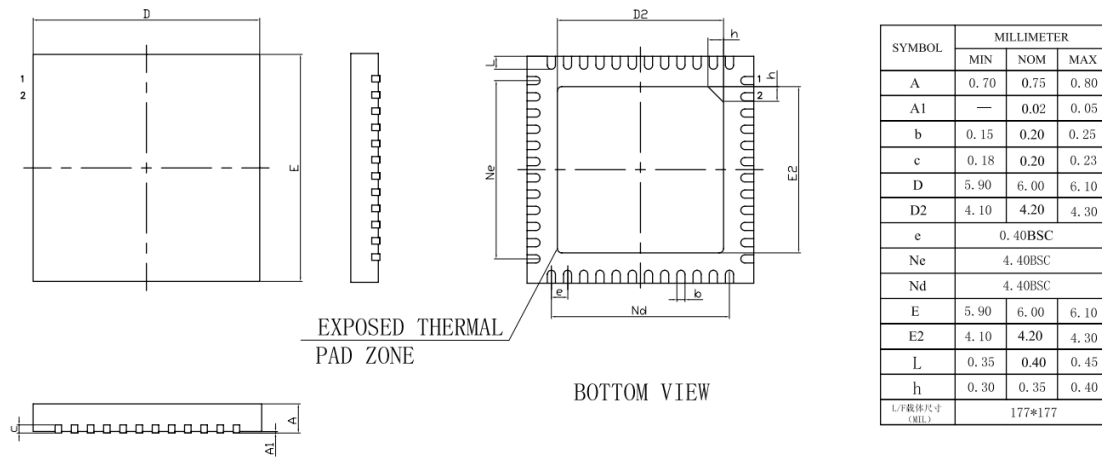


Figure 7. Package Dimensions (QFN48)

5. Ordering Guide

Table 6. Ordering Information

Part Number.	Temperature Range	Package Description	Packing Type
GSV2201D	0°C to +70°C	QFN48	Tray