



GSV1011

HDMI2.0 HDCP1.4 Repeater with TTL/LVDS
Input/Output and Audio Extraction/Insertion

November, 2020

PRODUCT SPECIFICATION

ONWA

1 General Information

1.1 General Information

The GSV1011 is a HDMI1.4/2.0 compatible TRX transceiver with LVDS/TTL data bus, and supports HDCP 1.4. For audio extraction and insertion, GSV1011 can support up to 8-channel I2S/2-channel S/PDIF/TDM.

The HDMI input maximum processing pixel clock frequency is 600MHz which means the video resolution can support up to 4kx2k@60Hz 4:4:4 8-bit. The maximum processing audio sample frequency is 8-channel 192K Hz for non-compression timing.

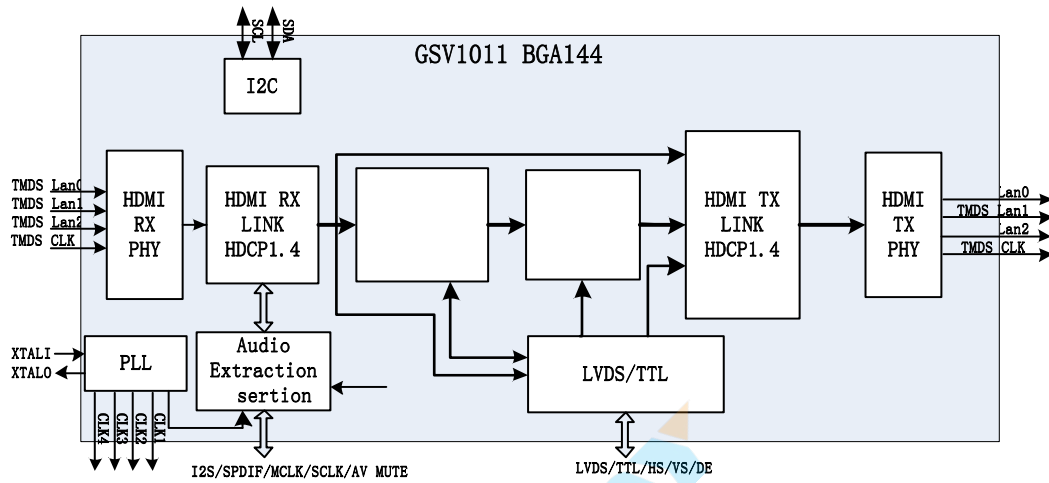


Figure 1 top diagram

Internal video processing supports CSC/ Dither/ 420->444 conversion/ Downscaler/ Deinterlacer/ LVDS and TTL Pin Mapping. Figure 2 is its diagram.

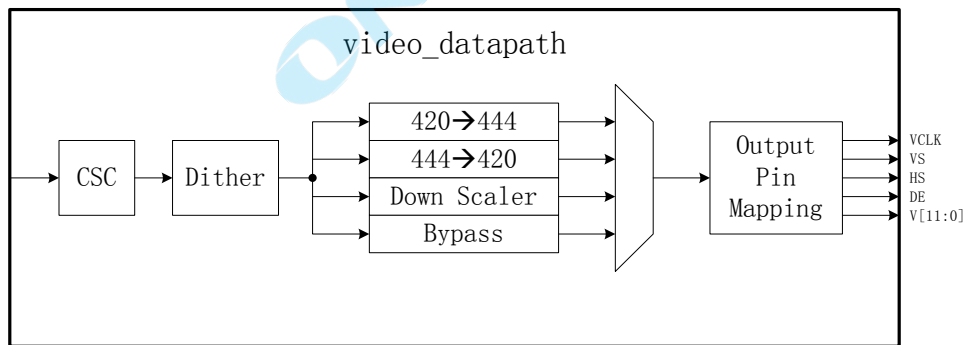


Figure 2 video datapath diagram

5 Package Information

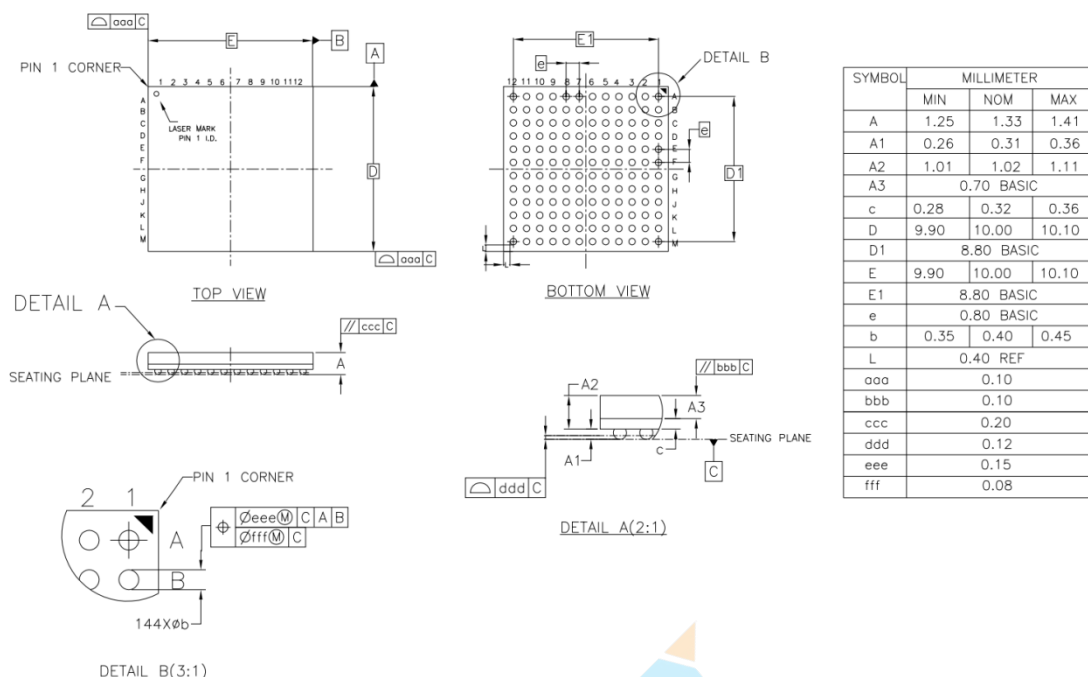


Figure 28. Package Dimensions (BGA144)

6 Ordering Guide

Table 42. Ordering Information

Part Number.	Temperature Range	Package Description	Packing Type
GSV1011	-20 °C to +85 °C	BGA144, 0.8 mm ball pitch, 10 mm x 10 mm outline	Tray

