

ME6208

150 mA, high input voltage LDO Linear Regulators ME6208 Series

General Description

ME6208 series are low-dropout linear voltage regulators with a built-in voltage reference module, error correction module and phase compensation module. ME6208 series are based on the CMOS process and allow high voltage input with low quiescent current. This series has the function of internal feedback resistor setting from 2.0 to 5.0V. The two output voltage accuracies are: $\pm 1\%$ ($V_{OUT} = 2.5V, 3.0V, 3.3V, 5.0V$) and $\pm 2\%$ (other output voltages).

Features

- High output accuracy:
 - $\pm 1\%$ ($V_{OUT} = 2.5V, 3.0V, 3.3V, 5.0V$)
 - $\pm 2\%$ (Others)
- Input voltage: up to 18 V
- Output voltage: 2.0 V ~ 5.0V
- Ultra-low quiescent current (Typ. = 3 μ A)
- Output Current: $I_{out} = 200mA$
(When $V_{in} = 7V$ and $V_{out} = 5V$)
- Importation good stability: Typ. 0.05% / V
- Low temperature coefficient
- Ceramic capacitor can be used

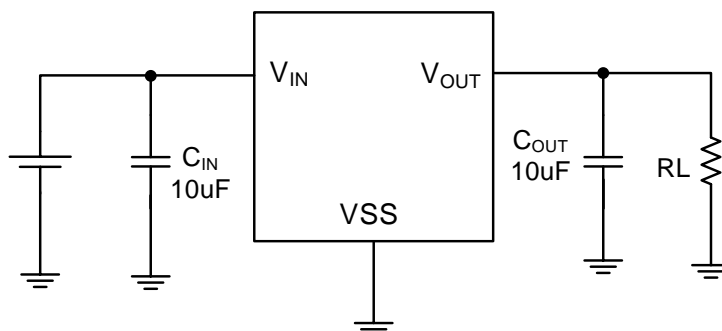
Typical Application

- Electronic weighbridge
- SCM
- Phones, cordless phones
- Security Products
- Water meters, power meters

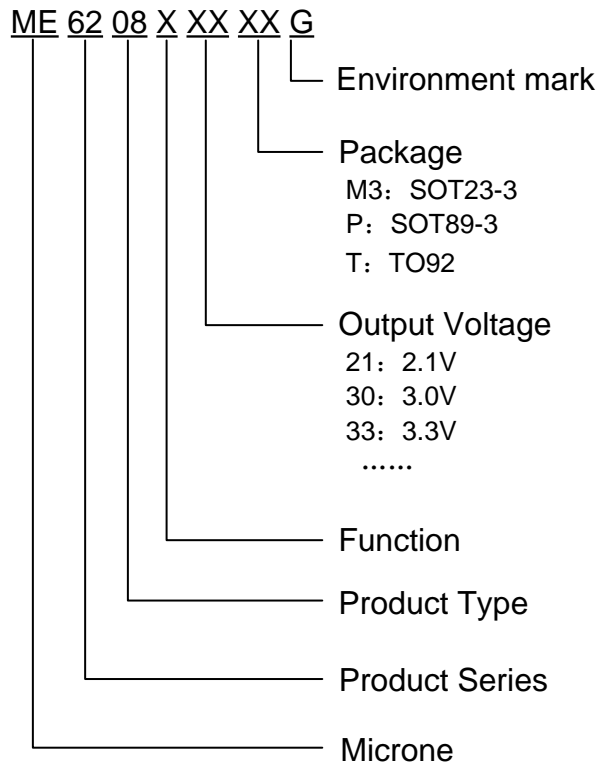
Package

- 3-pin SOT23-3、SOT89-3、TO92

Typical Application Circuit



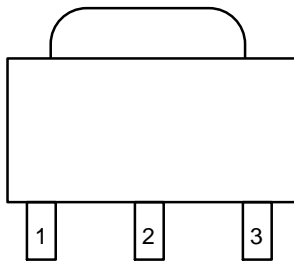
Selection Guide



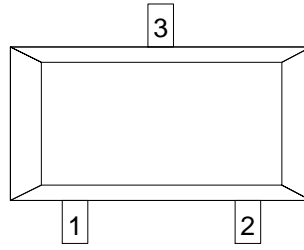
product series	product description
ME6208A21M3G	$V_{OUT} = 2.1V \pm 2\%$; Package: SOT23-3
ME6208A25M3G	$V_{OUT} = 2.5V \pm 1\%$; Package: SOT23-3
ME6208A30M3G	$V_{OUT} = 3.0V \pm 1\%$; Package: SOT23-3
ME6208A30PG	$V_{OUT} = 3.0V \pm 1\%$; Package: SOT89-3
ME6208A33M3G	$V_{OUT} = 3.3V \pm 1\%$; Package: SOT23-3
ME6208A33TG	$V_{OUT} = 3.3V \pm 1\%$; Package: TO92
ME6208A36M3G	$V_{OUT} = 3.6V \pm 2\%$; Package: SOT23-3
ME6208A40PG	$V_{OUT} = 4.0V \pm 2\%$; Package: SOT89-3
ME6208A44M3G	$V_{OUT} = 4.4V \pm 2\%$; Package: SOT23-3
ME6208A50M3G	$V_{OUT} = 5.0V \pm 1\%$; Package: SOT23-3
ME6208A50TG	$V_{OUT} = 5.0V \pm 1\%$; Package: TO92

NOTE: At present ,there are eight kinds of voltage value:
2.1V、2.5V、3.0V、3.3V、3.6V、4.0V、4.4V、5.0V。
If you need other voltage and package, please contact our sales staff.

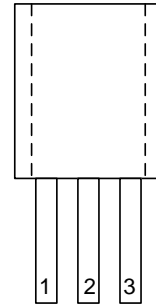
Pin Configuration



SOT89-3



SOT23-3

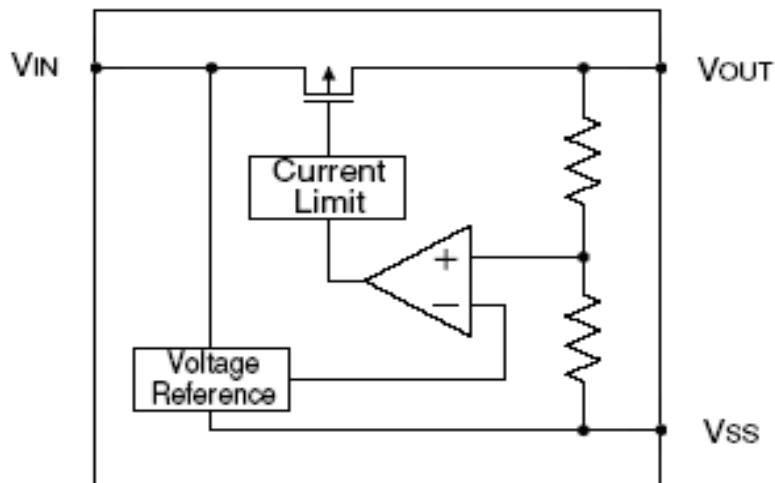


TO92

Pin Assignment

Pin Number		Pin Name	Functions
SOT89-3 / TO92	SOT23-3		
1	1	V_{SS}	Ground
2	3	V_{IN}	Power Input
3	2	V_{OUT}	Output

Block Diagram



Absolute Maximum Ratings

Parameter	Symbol	Ratings	Units
Input Voltage	V_{IN}	18	V
Output Current	I_{OUT}	250	mA
Output Voltage	V_{OUT}	$V_{SS}-0.3 \sim V_{IN} + 0.3$	V
Power Dissipation	SOT89-3	1.25	W
	TO92	0.83	
	SOT23-3	0.54	
Thermal resistance	SOT89-3	100	°C/W
	TO92	150	
	SOT23-3	230	
Operating Temperature Range	T_{OPR}	-45 ~ +85	°C
Storage Temperature Range	T_{STG}	-55 ~ +150	°C
Maximum junction temperature	T_J	-40 ~ +150	°C
Lead Temperature		260°C, 10sec	

Electrical Characteristics

($V_{IN} = V_{OUT} + 2.0V$, $C_{IN} = C_L = 10\mu F$, $T_a = 25^\circ C$, unless otherwise noted)

Parameter	Symbol	Conditions	Min.	Typ.	Max.	Units	
Output Voltage	$V_{OUT(E)}$ (Note 2)	$I_{OUT} = 10mA$, $V_{IN} = V_{OUT} + 2V$	$V_{OUT} = 2.5V, 3.0V, 3.3V, 5.0V$	X 0.99	$V_{OUT(T)}$ (Note 1)	X 1.01	V
			$V_{OUT} = \text{others}$	X 0.98	$V_{OUT(T)}$ (Note 1)	X 1.02	
Input Voltage	V_{IN}				18	V	
Maximum Output Current	I_{OUT_max}	$V_{IN} = V_{OUT} + 2V$	150			mA	
Load Regulation	ΔV_{OUT}	$V_{IN} = V_{OUT} + 2V$, $1mA \leq I_{OUT} \leq 100mA$		10		mV	
Dropout Voltage (Note 3)	V_{dif1}	$I_{OUT} = 50mA$		380		mV	
	V_{dif2}	$I_{OUT} = 100mA$		750		mV	
	V_{dif3}	$I_{OUT} = 150mA$		1130		mV	
Supply Current	I_{SS}	$V_{IN} = V_{OUT} + 2V$		3	5	μA	
Line Regulations	$\frac{\Delta V_{OUT}}{\Delta V_{IN} \times V_{OUT}}$	$I_{OUT} = 10mA$ $V_{OUT} + 2V \leq V_{IN} \leq 18V$		0.05		%/V	

Note :

- $V_{OUT(T)}$: Specified Output Voltage
- $V_{OUT(E)}$: Effective Output Voltage (ie. The output voltage when " $V_{OUT(T)} + 2.0V$ " is provided at the Vin pin while maintaining a certain Iout value.)
- V_{DIF} : $V_{IN1} - V_{OUT(E)}$
 V_{IN1} : The input voltage when $V_{OUT(E)}$ appears as input voltage is gradually decreased.
 $V_{OUT(E)}$ = A voltage equal to 98% of the output voltage whenever an amply stabilized Iout and $\{V_{OUT(T)} + 2.0V\}$ is input.

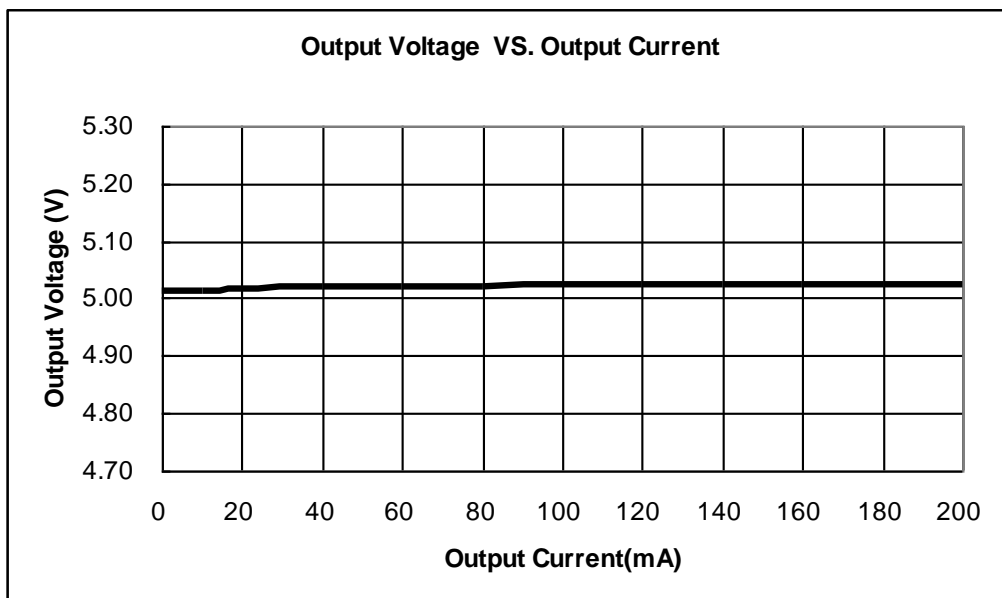
Precautions

- During the test, if AC/DC power supply and the ceramic chip capacitors collocation is used, there may be serious voltage spike phenomenon instantaneously. When the power supply access to 16V, the voltage is rushed to about 30V instantaneously. Because of exceeding the limit voltage of chip, the chip is damaged. If you string a small resistance of 1 ohm in the input end during the test, the peak phenomenon can be avoided.
- In the test, there is serious burr phenomenon only when the AC/DC power is used with ceramic chip capacitors. But electrolytic capacitors and tantalum capacitance won't appear above phenomenon. Please be sure to pay attention to this point when you use AC/DC power.
- In normal use, when any type of capacitor is used with battery or the supply of fire power, the above phenomenon doesn't occur.

Type Characteristics

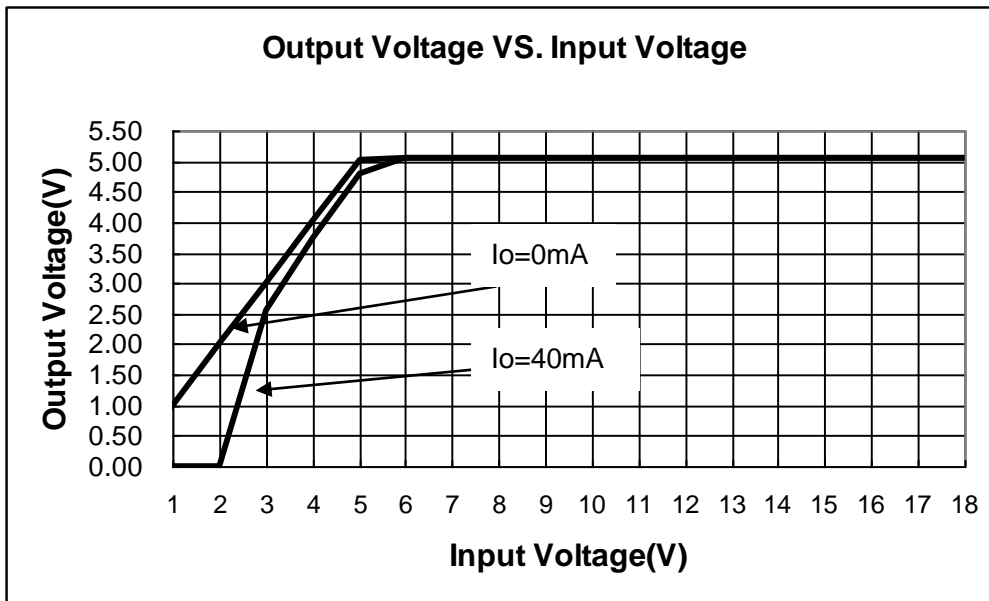
(1) Output Current VS. Output Voltage ($T_a = 25\text{ }^\circ\text{C}$)

ME6208A50



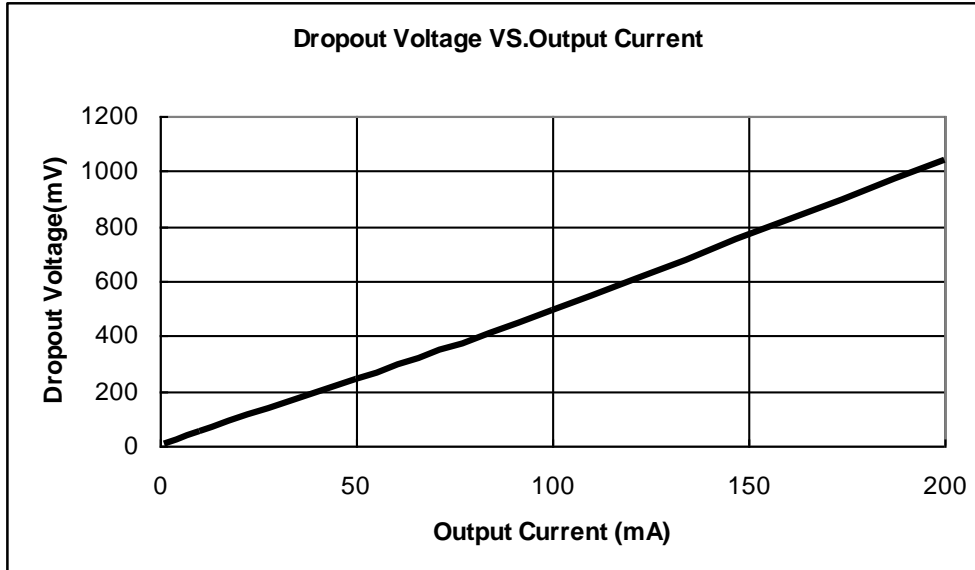
(2) Input Voltage VS. Output Voltage ($T_a = 25\text{ }^\circ\text{C}$)

ME6208A50



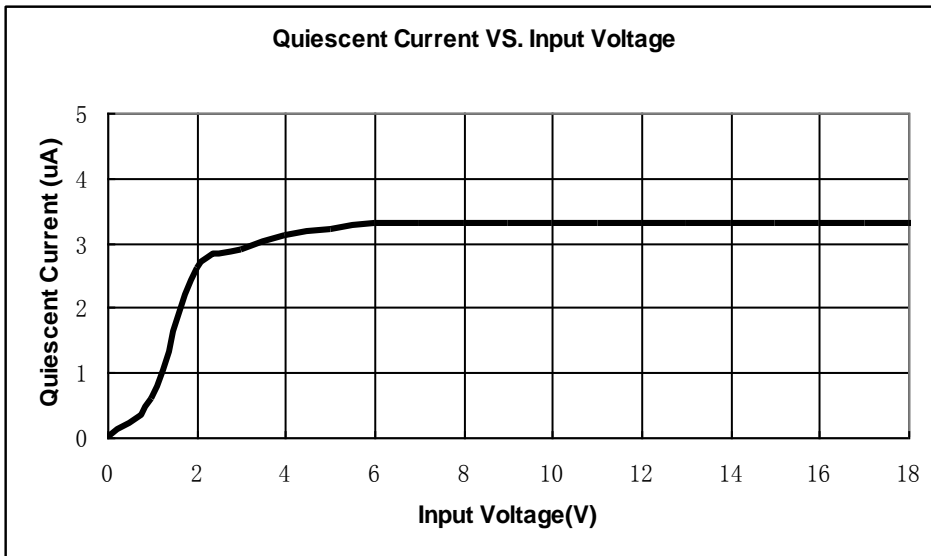
(3) Output Current VS. Dropout Voltage ($T_a = 25\text{ }^\circ\text{C}$)

ME6208A50



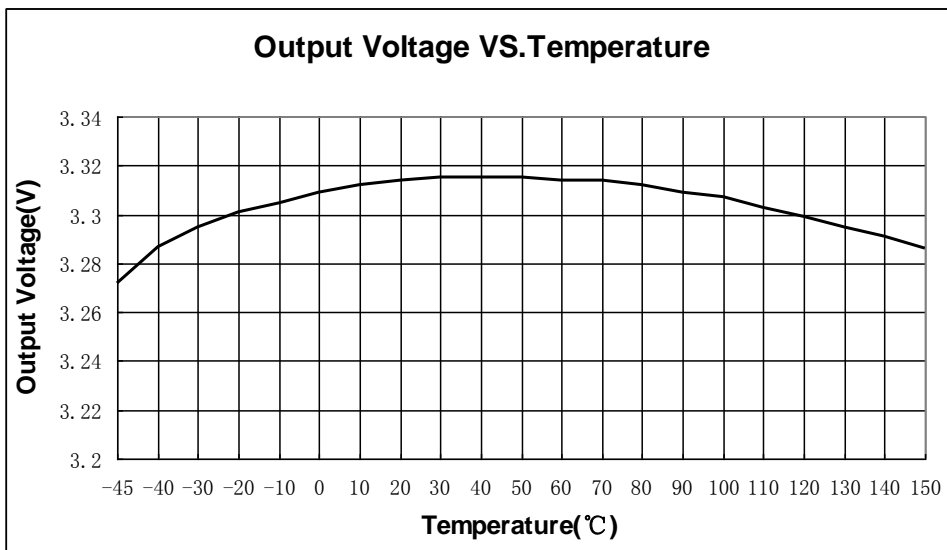
(4) Input Voltage VS. Supply Current (Ta = 25 °C)

ME6208A50



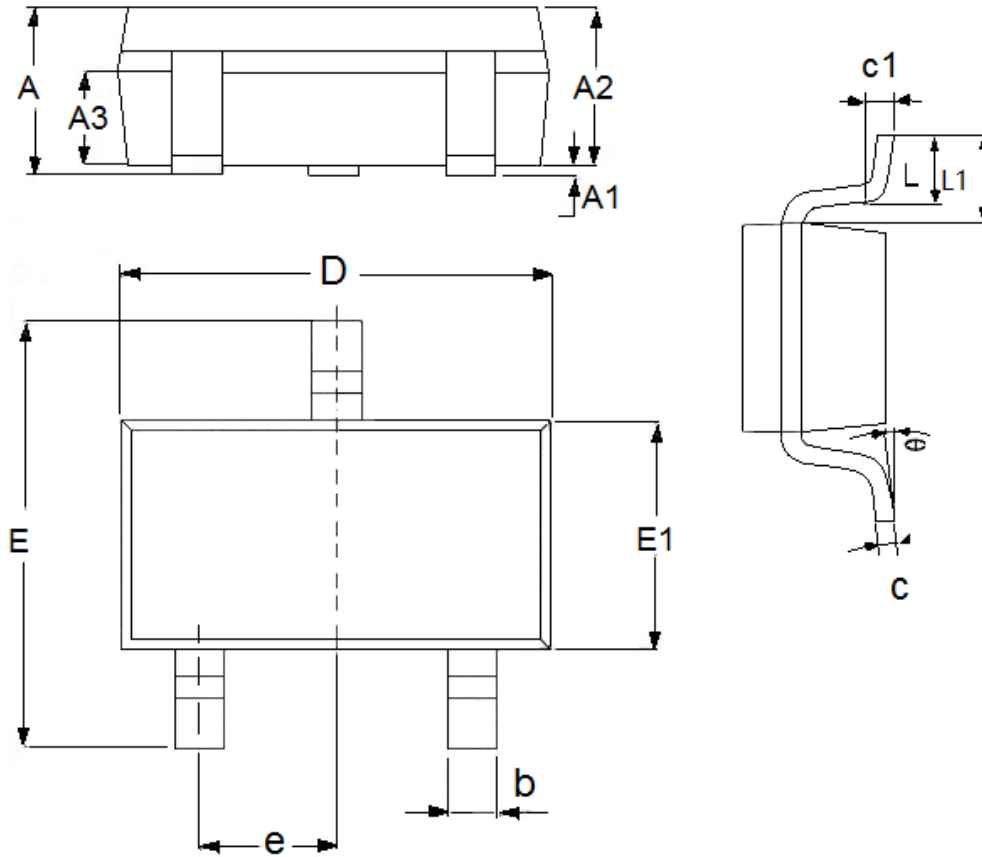
(5) Output Voltage VS. Temperature

ME6208A33



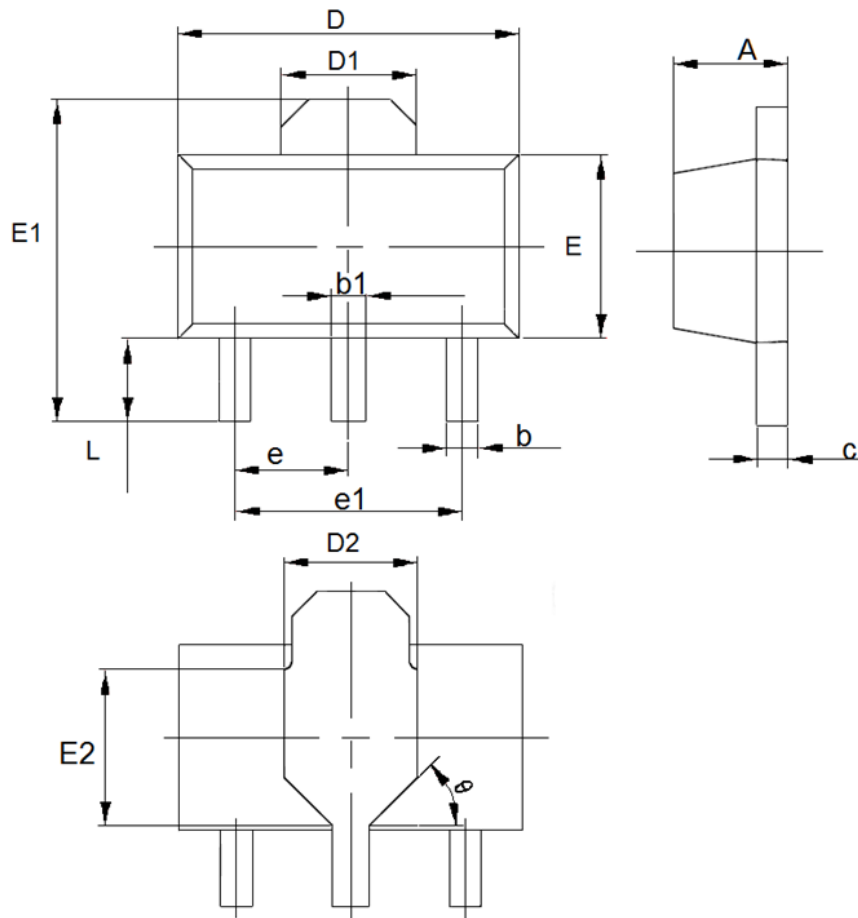
Packaging Information

- Packaging Type: SOT23-3



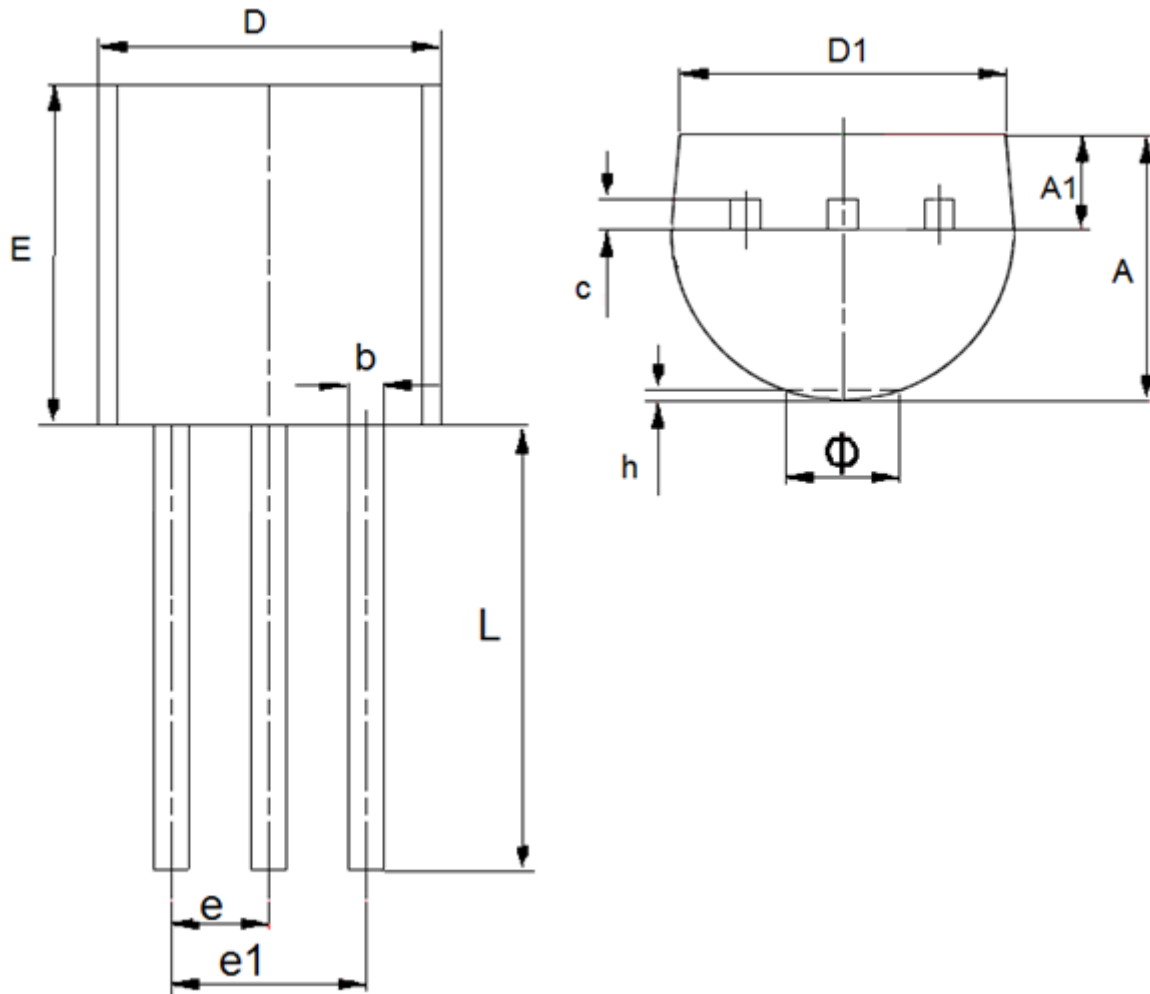
DIM	Millimeters		Inches	
	Min	Max	Min	Max
A	1.05	1.45	0.0413	0.0571
A1	0	0.15	0.0000	0.0059
A2	0.9	1.3	0.0354	0.0512
A3	0.6	0.7	0.0236	0.0276
b	0.25	0.5	0.0098	0.0197
c	0.1	0.25	0.0039	0.0098
D	2.8	3.1	0.1102	0.1220
E	2.6	3.1	0.1023	0.1220
E1	1.5	1.8	0.0591	0.0709
e	0.95(TYP)		0.0374(TYP)	
L	0.25	0.6	0.0098	0.0236
L1	0.59(TYP)		0.0232(TYP)	
θ	0	8°	0.0000	8°
c1	0.2(TYP)		0.0079(TYP)	

● Packaging Type: SOT89-3



DIM	Millimeters		Inches	
	Min	Max	Min	Max
A	1.4	1.6	0.0551	0.063
b	0.32	0.52	0.0126	0.0205
b1	0.4	0.58	0.0157	0.0228
c	0.35	0.45	0.0138	0.01772
D	4.4	4.6	0.1732	0.1811
D1	1.55(TYP)		0.061(TYP)	
D2	1.75(TYP)		0.0689(TYP)	
e1	3(TYP)		0.1181(TYP)	
E	2.3	2.6	0.0906	0.1023
E1	3.94	4.4	0.1551	0.1732
E2	1.9(TYP)		0.0748(TYP)	
e	1.5(TYP)		0.0591(TYP)	
L	0.8	1.2	0.0315	0.0472
θ	45°		45°	

● Packaging Type:TO-92



DIM	Millimeters		Inches	
	Min	Max	Min	Max
A	3.3	3.7	0.1299	0.1457
A1	1.1	1.4	0.0433	0.0551
b	0.38	0.55	0.015	0.0217
c	0.36	0.51	0.0142	0.0201
D	4.3	4.7	0.1693	0.185
D1	3.43	-	0.135	-
E	4.3	4.7	0.1693	0.185
e	1.27		0.05	
e1	2.44	2.64	0.0961	0.1039
L	14.1	14.5	0.5551	0.5709
h	0	0.38	0	0.015
Φ	-	1.6	-	0.063

- The contents of this document will be updated with the product's improvement without prior notice. Please consult our sales staff before using this document to ensure that you are using the latest version.
- The application circuit examples described in this document are only used to indicate the representative use of the product and do not guarantee the design of mass production.
- Please use this product within the limits stated in this document. We will not be responsible for any damage caused by improper use.
- The products described in this document are not allowed to be used in equipment or devices that affect the human body without the written permission of our company, including but not limited to: health equipment, medical equipment, disaster prevention equipment, fuel control equipment, automobile equipment, aviation equipment and vehicle equipment.
- Although our company has always been committed to improving product quality and reliability, semiconductor products have a certain probability of malfunction or wrong work. To prevent personal injury or property damage caused by such accidents, please pay full attention to safety design, for example: Alternate design, fire protection design, and prevention of wrong action design.
- When exporting this product or this document overseas, you should abide by applicable import and export control laws.
- Copying or reprinting part or all of this document in any form without the permission of our company is strictly prohibited.