

Single-Ended, Analog-Input 24Bit, 96kHz Stereo ADC

■ FEATURES

- 24Bit Delta-Sigma Stereo ADC
- Single-Ended Voltage Input: 3 V_{p-p}
- High Performance
 - THD+N: -90dB (Typical)
 - SNR: 99dB (Typical)
 - Dynamic Range: 99dB (Typical)
- Flexible PCM Audio Interface
 - Master- or Slave-Mode Selectable
 - Data Formats: 24Bit I²S, 24Bit Left-Justified
- Power Down and Reset by Halting System Clock
- Analog Antialias LPF Included
- Sampling Rate: 8 kHz–96 kHz
- System Clock: 256 f_s, 384 f_s, 512 f_s
- Resolution: 24 Bits
- Dual Power Supplies
 - 5V for Analog
 - 3.3V for Digital
- TSSOP14 Package

■ APPLICATIONS

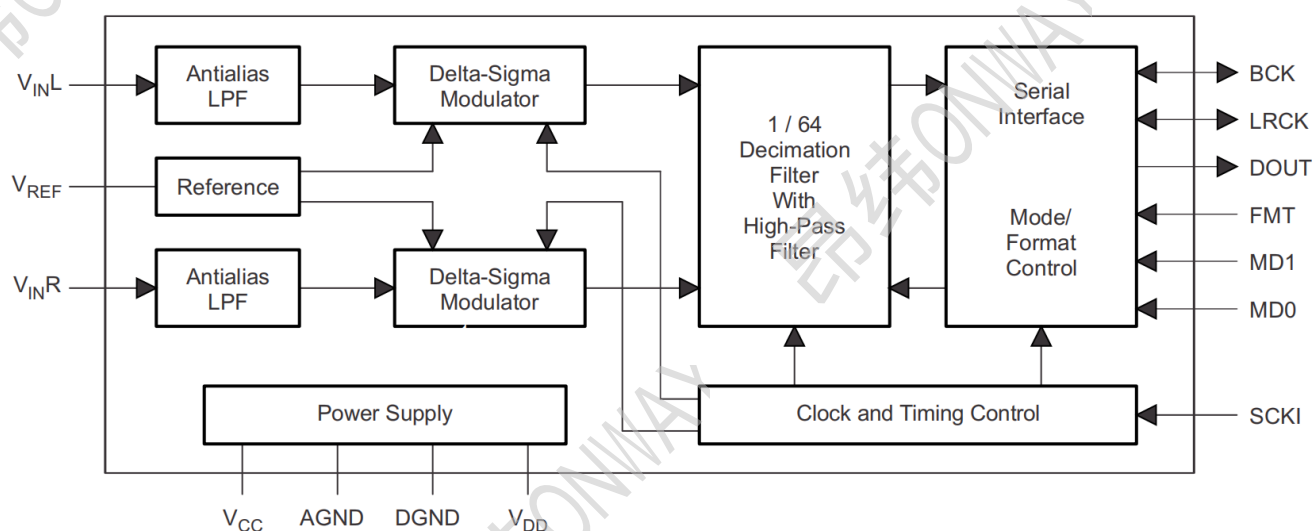
- DVD Recorder
- Digital TV
- AV Amplifier or Receiver
- MD Player
- CD Recorder
- Multitrack Receiver
- Electric Musical Instrument

■ DESCRIPTION

The HT91808 device is a high-performance, low-cost, single-chip, stereo analog-to-digital converter with single-ended analog voltage input. The HT91808 device uses a delta-sigma modulator with 64-times oversampling and includes a digital decimation filter and high-pass filter that removes the dc component of the input signal. For various applications, the HT91808 device supports master and slave mode and two data formats in serial audio interface.

The device is available in TSSOP14 package.

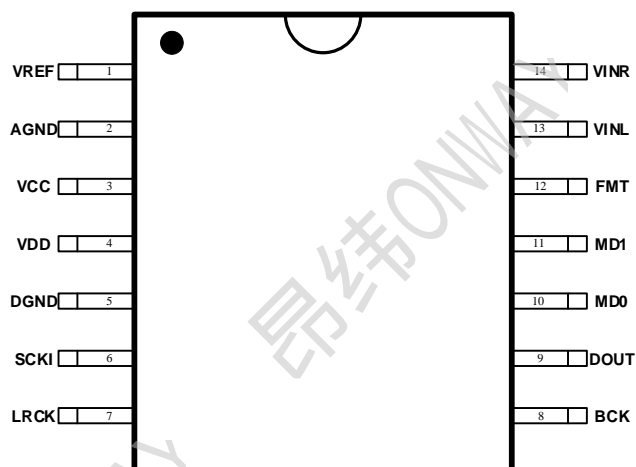
■ BLOCK DIAGRAM



Contents

■ FEATURES	1
■ APPLICATIONS.....	1
■ DESCRIPTION.....	1
■ BLOCK DIAGRAM	1
■ TERMINAL CONFIGURATION	3
■ TERMINAL FUNCTION	3
■ ORDERING INFORMATION	4
Ordering Number	4
Production Tracking Code.....	4

■ TERMINAL CONFIGURATION



TSSOP14 Top View

■ TERMINAL FUNCTION

Terminal No.	NAME	I/O ¹	Description
1	VREF	-	Reference-voltage decoupling (= 0.5 VCC).
2	AGND	-	Analog GND
3	VCC	-	Analog power supply, 5V
4	VDD	-	Digital power supply, 3.3V
5	DGND	-	Digital GND
6	SCKI	I	System clock input; 256 f _s , 384 f _s or 512 f _s ²
7	LRCK	I/O	Audio-data latch-enable input or output ³
8	BCK	I/O	Audio-data bit-clock input or output ³
9	DOUT	O	Audio-data digital output
10	MD0	I	Audio-interface mode select 0 ⁴
11	MD1	I	Audio-interface mode select 1 ⁴
12	FMT	I	Audio-interface format select ⁴
13	INL	I	Analog input, L-channel
14	INR	I	Analog input, R-channel

¹ I: input O: output G: GNND: Power

² Schmitt-trigger input, 5V tolerant

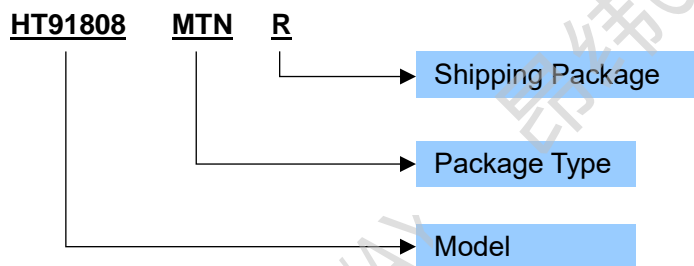
³ Schmitt-trigger input with internal pulldown (100-kΩ, typical)

⁴ Schmitt-trigger input with internal pulldown (100-kΩ, typical), 5V tolerant

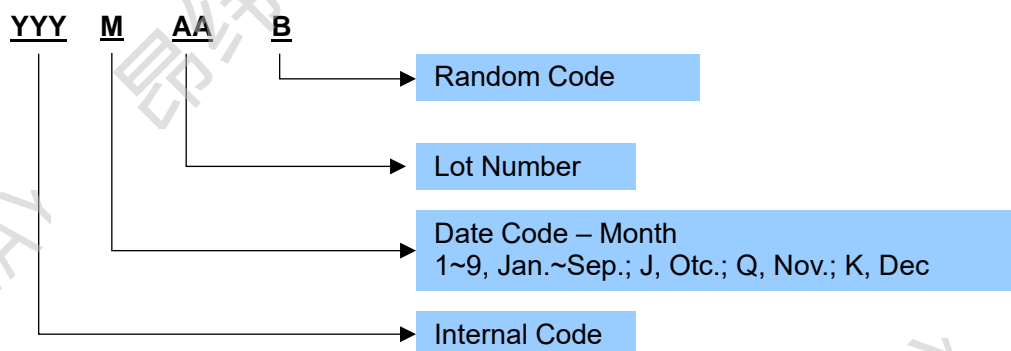
ORDERING INFORMATION

Part Number	Package Type	Marking	Operating Temperature Range	Shipping Package / MOQ
HT91808MTNR	TSSOP14 (MTN)	HT91808 YYYMAAB ¹	-40℃~85℃	Tape and Reel (R) / 3000pcs

Part Number



Production Tracking Code



¹ YYYMAAB is production tracking code